



US00D798910S

(12) **United States Design Patent**
McCrosen et al.

(10) **Patent No.:** **US D798,910 S**

(45) **Date of Patent:** **** Oct. 3, 2017**

(54) **FLOAT SWITCH HOUSING**
(71) Applicant: **Liberty Pumps, Inc.**, Bergen, NY (US)
(72) Inventors: **Timothy D. McCrosen**, Rochester, NY (US); **David M. Williams**, Attica, NY (US)
(73) Assignee: **Liberty Pumps, Inc.**, Bergen, NY (US)
(**) Term: **15 Years**
(21) Appl. No.: **29/570,583**

4,694,128 A * 9/1987 Lupoli G01F 23/36
200/302.1
4,758,700 A * 7/1988 Lupoli G01F 23/36
200/275
D313,418 S * 1/1991 Webb D15/7
5,775,877 A * 7/1998 Genz H01H 35/18
200/84 C
D400,211 S * 10/1998 Thallemer D15/7
6,253,608 B1 * 7/2001 Faulhaber G01F 23/74
200/84 C
6,341,944 B1 * 1/2002 Butcher F04D 15/0218
417/40
7,049,534 B1 * 5/2006 Lee G01F 23/76
200/84 B
D627,438 S * 11/2010 Cox D23/236
(Continued)

(22) Filed: **Jul. 9, 2016**
(51) **LOC (10) Cl.** **15-02**
(52) **U.S. Cl.**
USPC **D15/7**
(58) **Field of Classification Search**
USPC D15/7-9; D23/231, 232, 225, 236;
417/60, 235, 265, 321, 355, 358, 363,
417/359, 410.1, 415-416, 405, 900, 269,
417/539; 60/408, 412; 184/26-37;
415/140-147; 123/495, 509; 137/565.34;
200/84 R
CPC F02M 37/04; F02M 37/14; F04B 53/92;
F04B 1/005; F04B 53/02; F16J 15/324;
H05K 35/18
See application file for complete search history.

Primary Examiner — Ralf Seifert
(74) *Attorney, Agent, or Firm* — John M. Hammond;
Patent Innovations LLC

(57) **CLAIM**

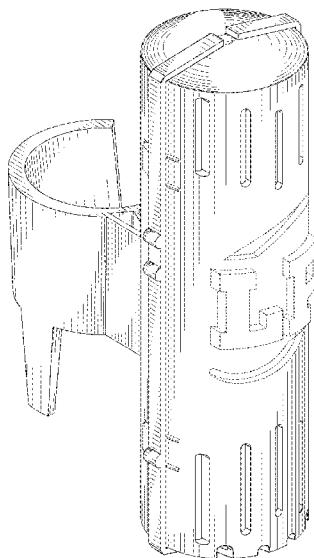
The ornamental design for a float switch housing, as shown and described.

DESCRIPTION

FIG. 1 is a perspective view of the top, front and left side of the float switch housing;
FIG. 2 is a front elevation view of the float switch housing;
FIG. 3 is a right side elevation view of the float switch housing;
FIG. 4 is a rear elevation view of the float switch housing;
FIG. 5 is a left side elevation view of the float switch housing;
FIG. 6 is a top plan view of the float switch housing; and,
FIG. 7 is a bottom view looking upwardly at the float switch housing from below.
Any broken line illustration of environmental structure in the drawings is for illustrative purposes only, and forms no part of the claimed design.

1 Claim, 7 Drawing Sheets

(56) **References Cited**
U.S. PATENT DOCUMENTS
3,185,789 A * 5/1965 Gunther D06F 39/081
200/51 R
3,258,968 A * 7/1966 Woodcock G01F 23/70
116/204
D236,756 S * 9/1975 Franzen D15/7
4,066,858 A * 1/1978 Piper F22D 5/24
200/84 C



(56)

References Cited

U.S. PATENT DOCUMENTS

7,878,019	B2 *	2/2011	Cantolino	F24F 13/222 62/272
D690,323	S *	9/2013	Burman	D15/7
D708,648	S *	7/2014	Orsini	D15/7
D739,441	S *	9/2015	Harkness	D15/7

* cited by examiner

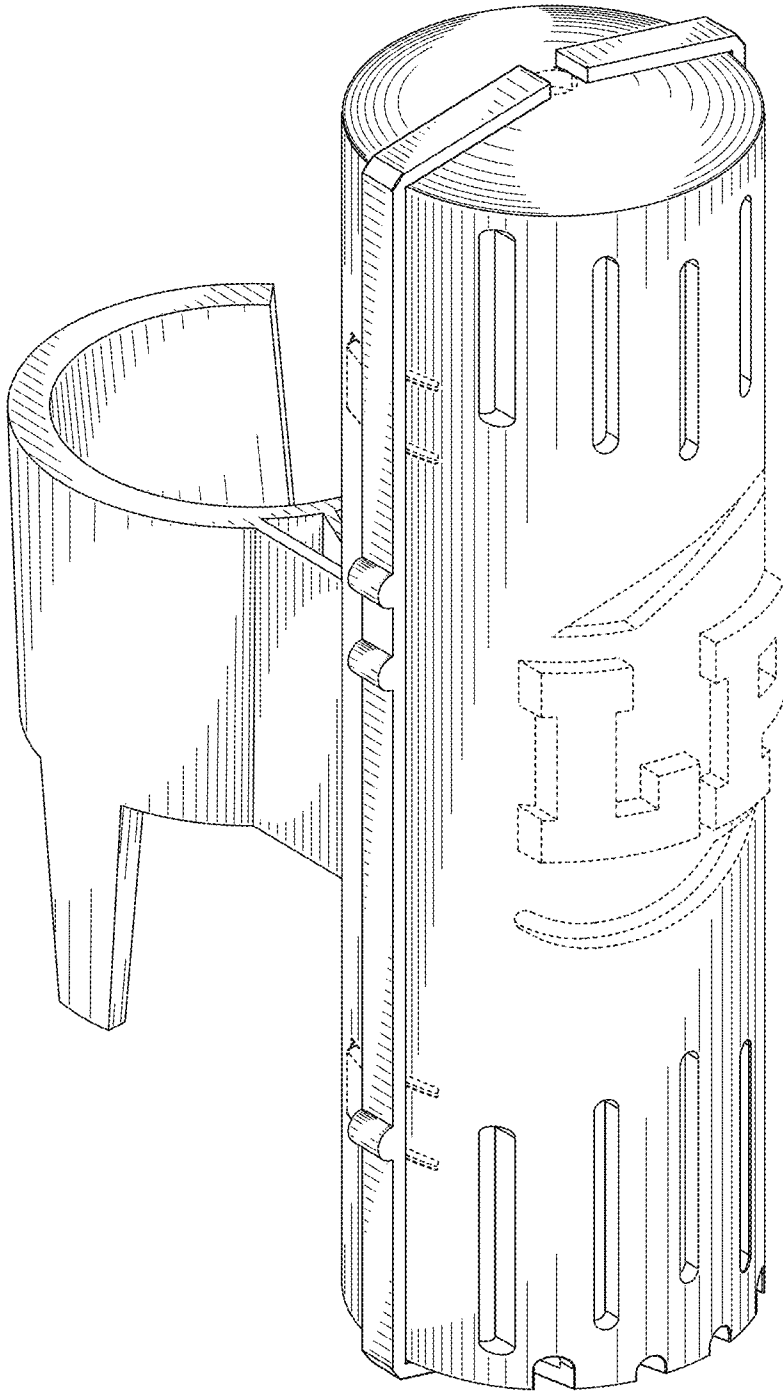


FIG. 1

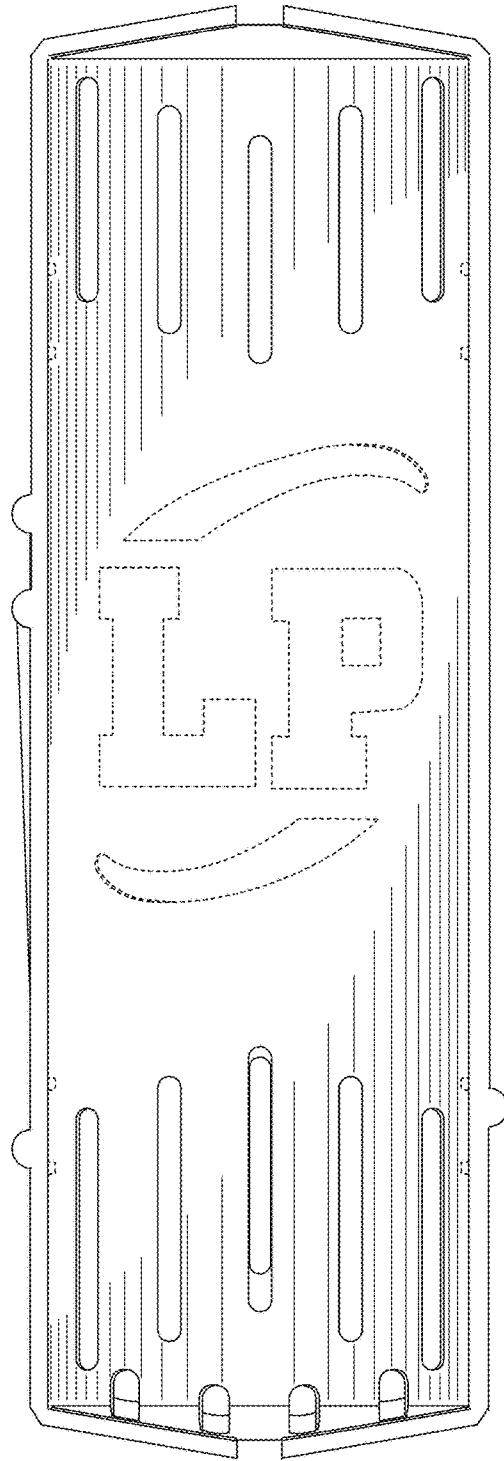


FIG. 2

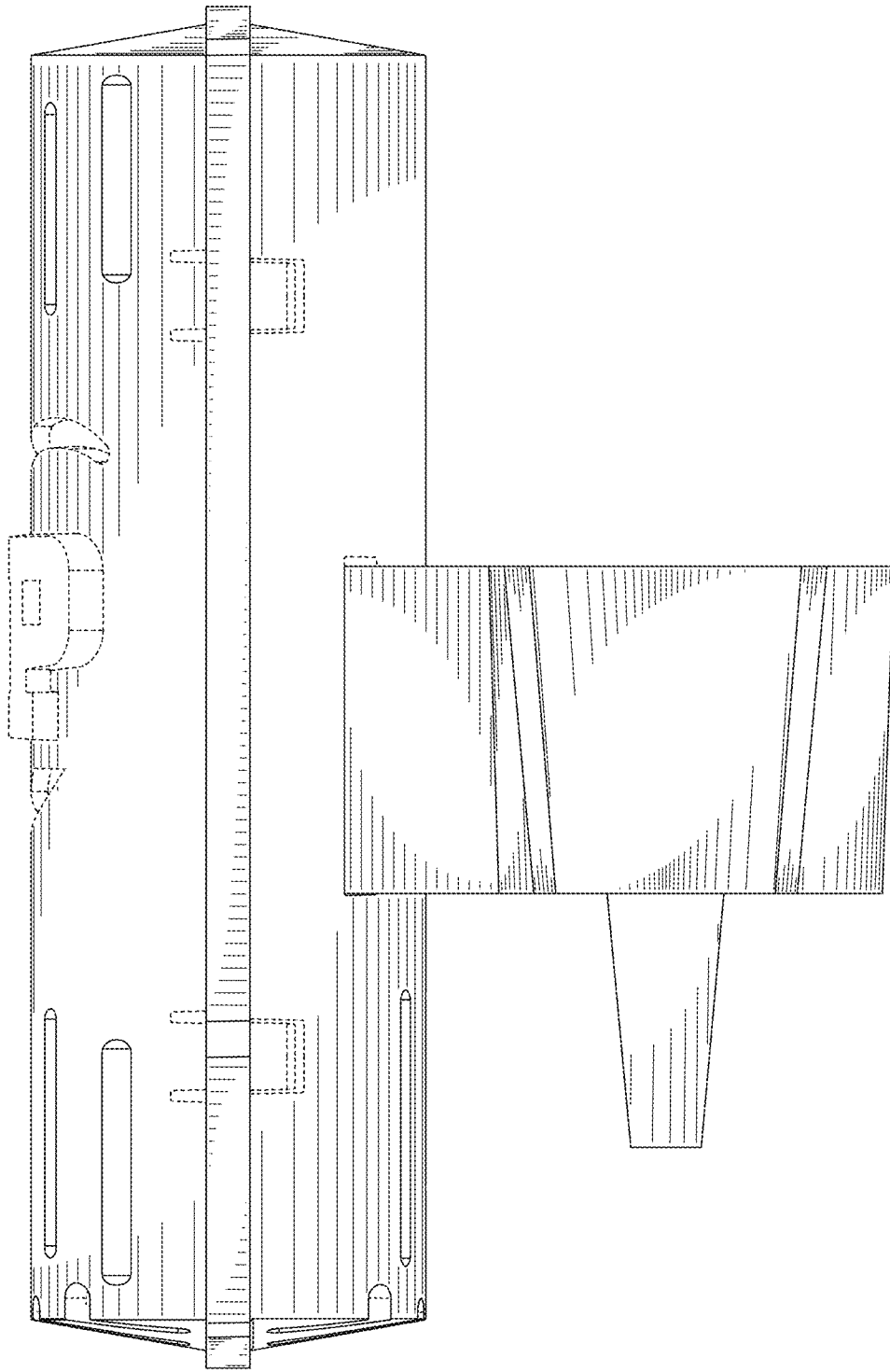


FIG. 3

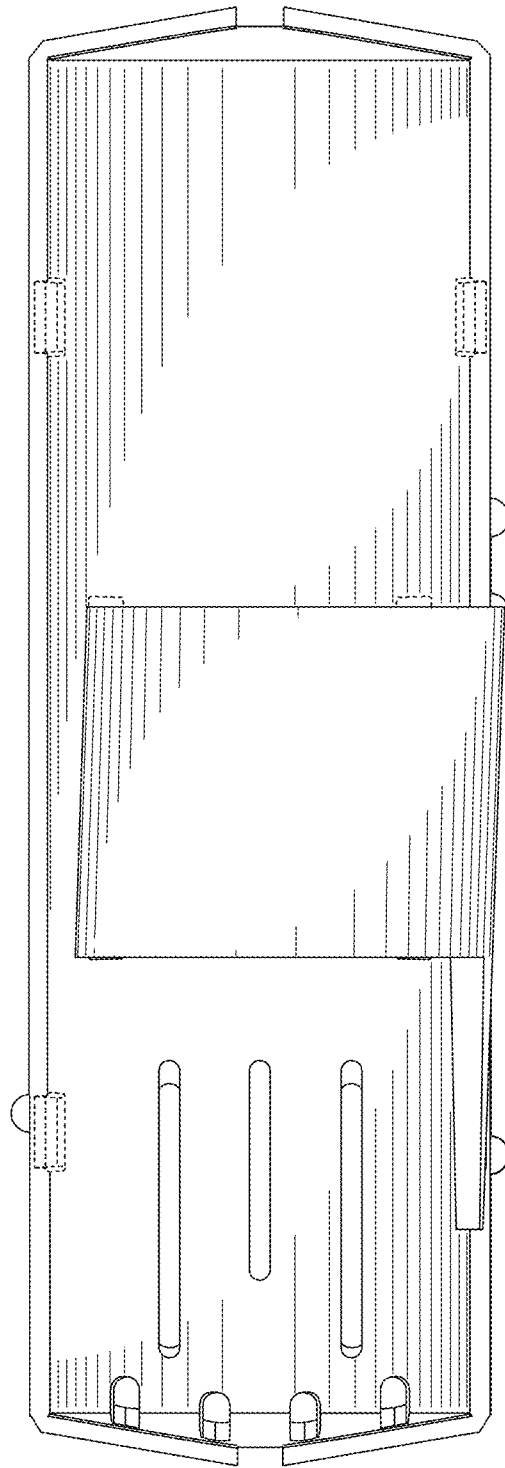


FIG. 4

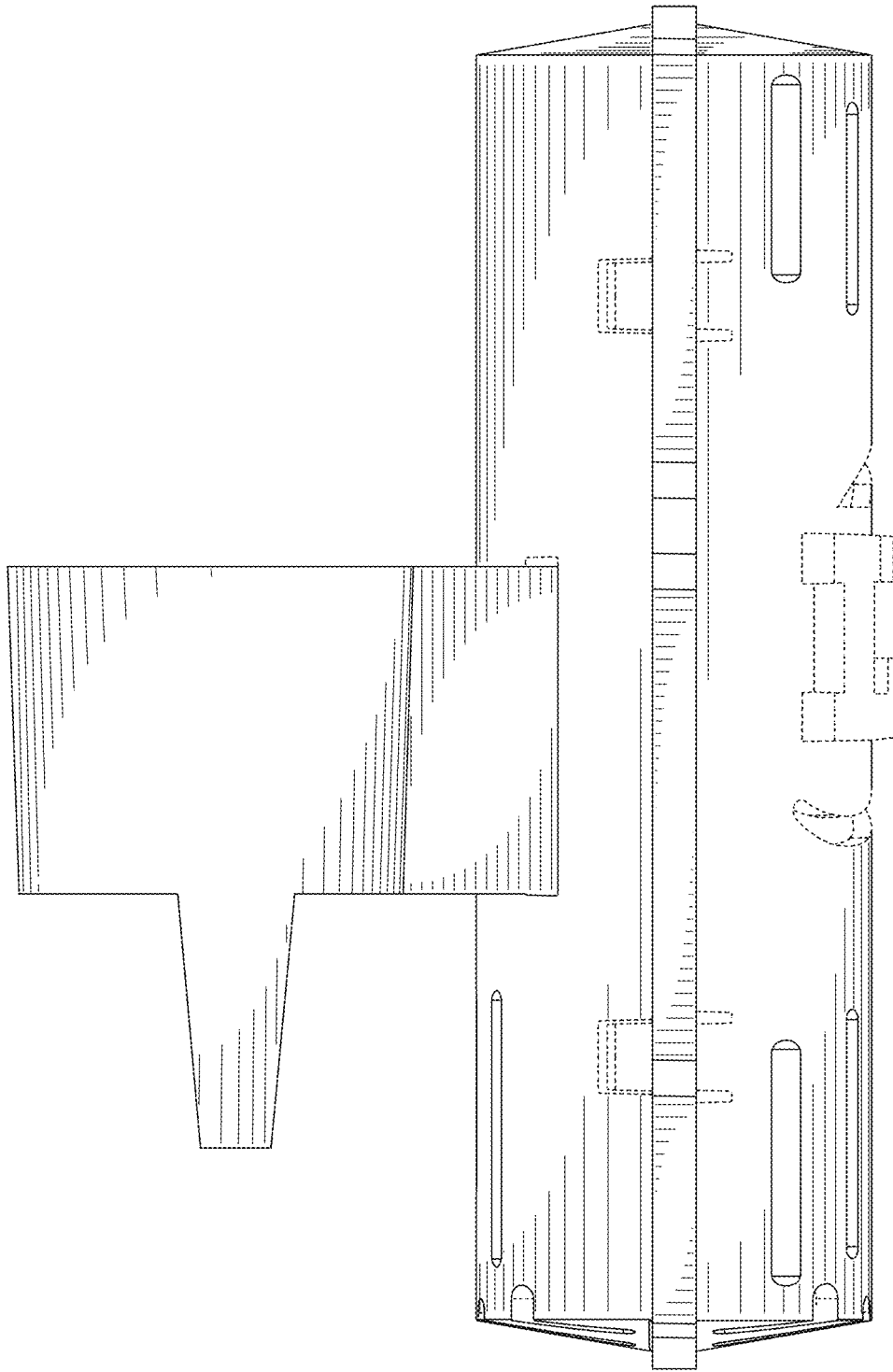


FIG. 5

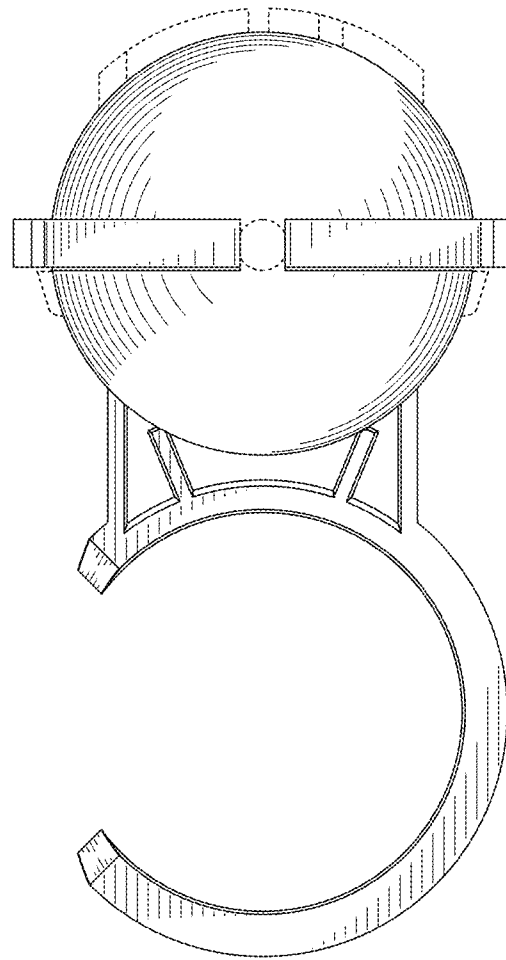


FIG. 6

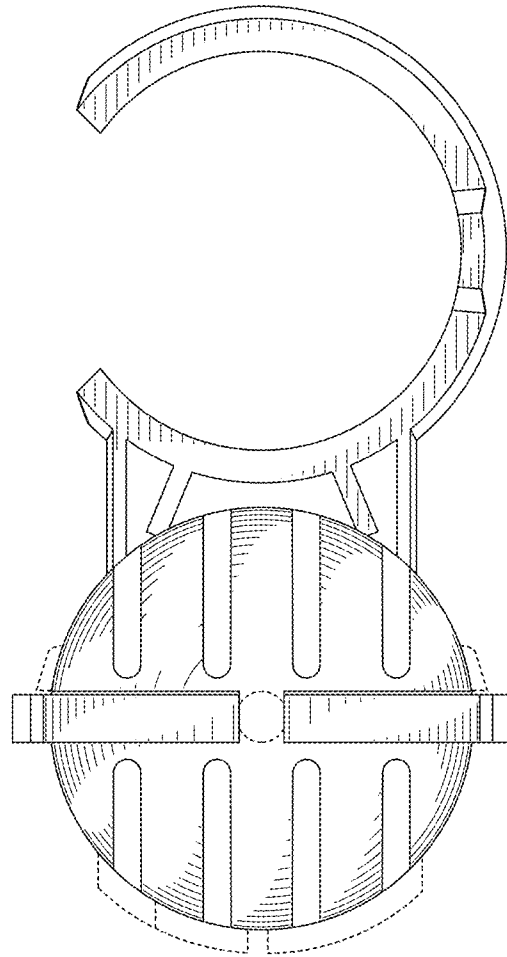


FIG. 7