



US00D800791S

(12) **United States Design Patent**  
**Pin, III**

(10) **Patent No.:** **US D800,791 S**

(45) **Date of Patent:** **\*\* Oct. 24, 2017**

(54) **LIQUID PUMP**

(71) Applicant: **Liberty Pumps, Inc.**, Bergen, NY (US)

(72) Inventor: **Clement A. Pin, III**, Rochester, NY (US)

(73) Assignee: **Liberty Pumps, Inc.**, Bergen, NY (US)

(\*\*) Term: **15 Years**

(21) Appl. No.: **29/570,581**

(22) Filed: **Jul. 9, 2016**

(51) **LOC (10) Cl.** ..... **15-02**

(52) **U.S. Cl.**

USPC ..... **D15/7**

(58) **Field of Classification Search**

USPC ..... D15/7-9; D23/231, 232, 225; 417/60, 417/235, 265, 321, 355, 358, 363, 359, 417/410.1, 415-416, 405, 900, 269, 539; 60/408, 412; 184/26-37; 415/140-147; 123/495, 509; 137/565.34  
CPC ..... F02M 37/04; F02M 37/14; F04B 53/92; F04B 1/005

See application file for complete search history.

(56) **References Cited**

**U.S. PATENT DOCUMENTS**

D237,011 S \* 9/1975 Stroberg et al. .... D15/7  
D284,380 S \* 6/1986 Berg ..... D15/7  
D482,699 S \* 11/2003 Graf ..... D15/7

D500,770 S 1/2005 Pohler  
D565,600 S \* 4/2008 Tazioli ..... D15/7  
D649,164 S \* 11/2011 Cook ..... D15/7  
D677,702 S \* 3/2013 O'Shea ..... D15/7  
D700,214 S \* 2/2014 Taniguchi ..... D15/7  
D740,329 S 10/2015 Gilbert et al.

\* cited by examiner

*Primary Examiner* — Ralf Seifert

(74) *Attorney, Agent, or Firm* — John M. Hammond; Patent Innovations LLC

(57) **CLAIM**

The ornamental design for a liquid pump, as shown and described.

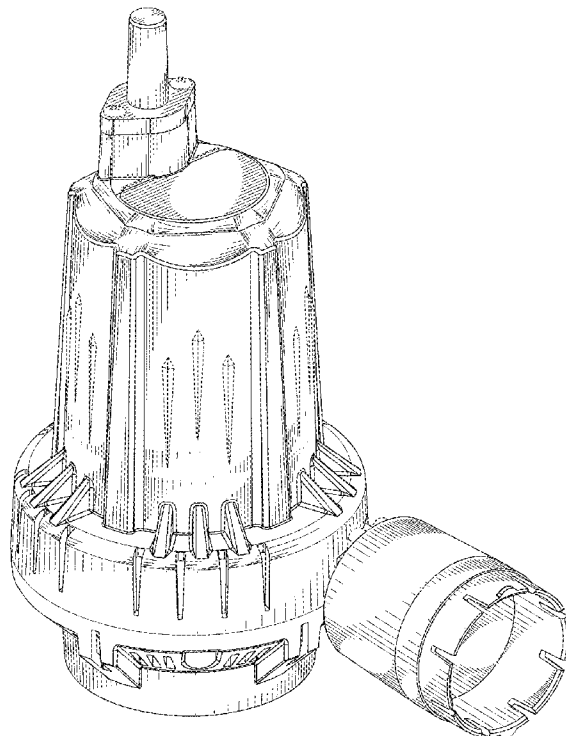
**DESCRIPTION**

FIG. 1 is a perspective view of the top, front and right side of the liquid pump;  
FIG. 2 is a front elevation view of the liquid pump;  
FIG. 3 is a right side elevation view of the liquid pump;  
FIG. 4 is a rear elevation view of the liquid pump;  
FIG. 5 is a left side elevation view of the liquid pump;  
FIG. 6 is a top plan view of the liquid pump; and,  
FIG. 7 is a bottom view looking upwardly at the liquid pump from below.

Any broken line illustration of environmental structure in the drawings is for illustrative purposes only, and forms no part of the claimed design.

The broken lines are included for the purpose of illustrating portions of the liquid pump that form no part of the claimed design.

**1 Claim, 7 Drawing Sheets**



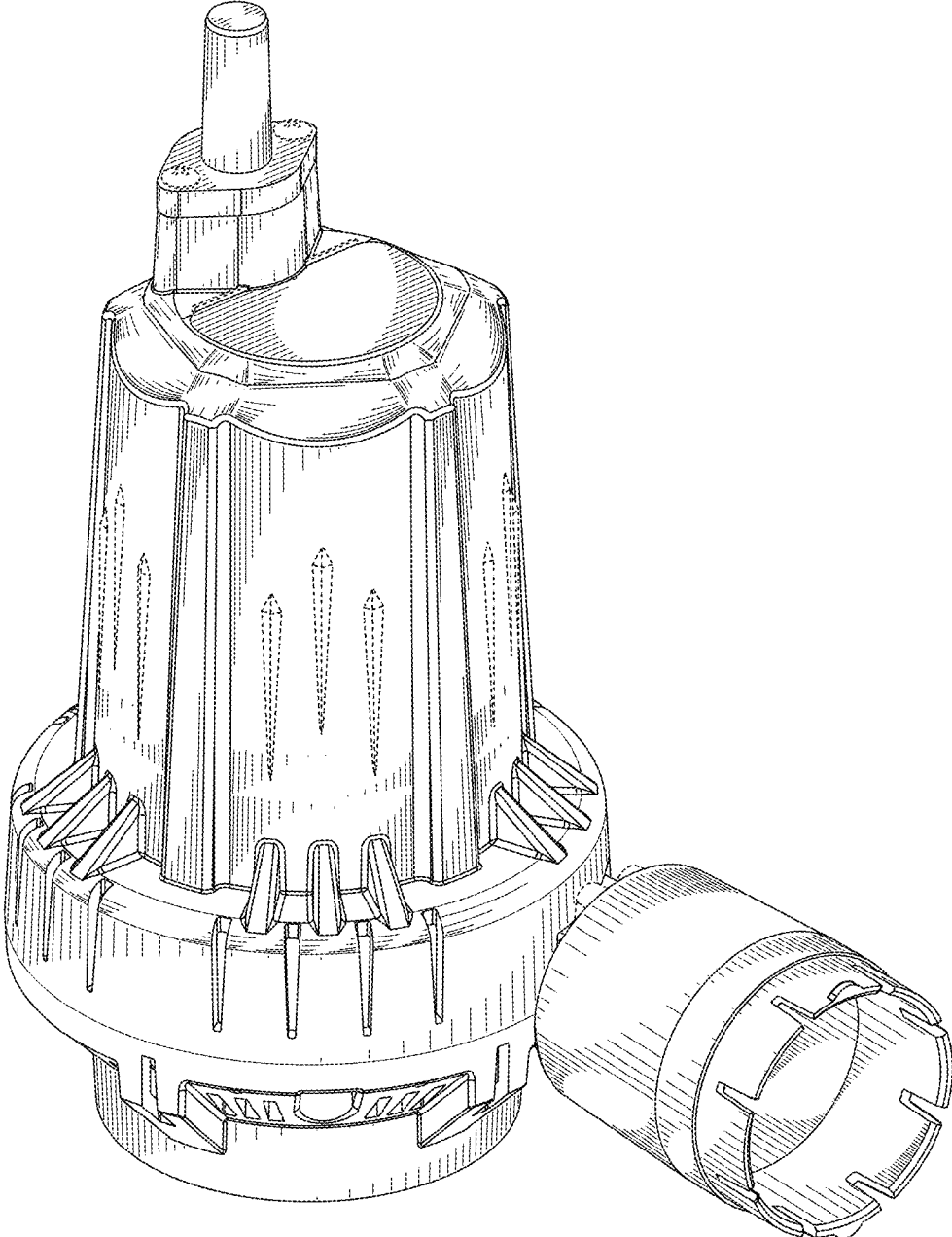


FIG. 1

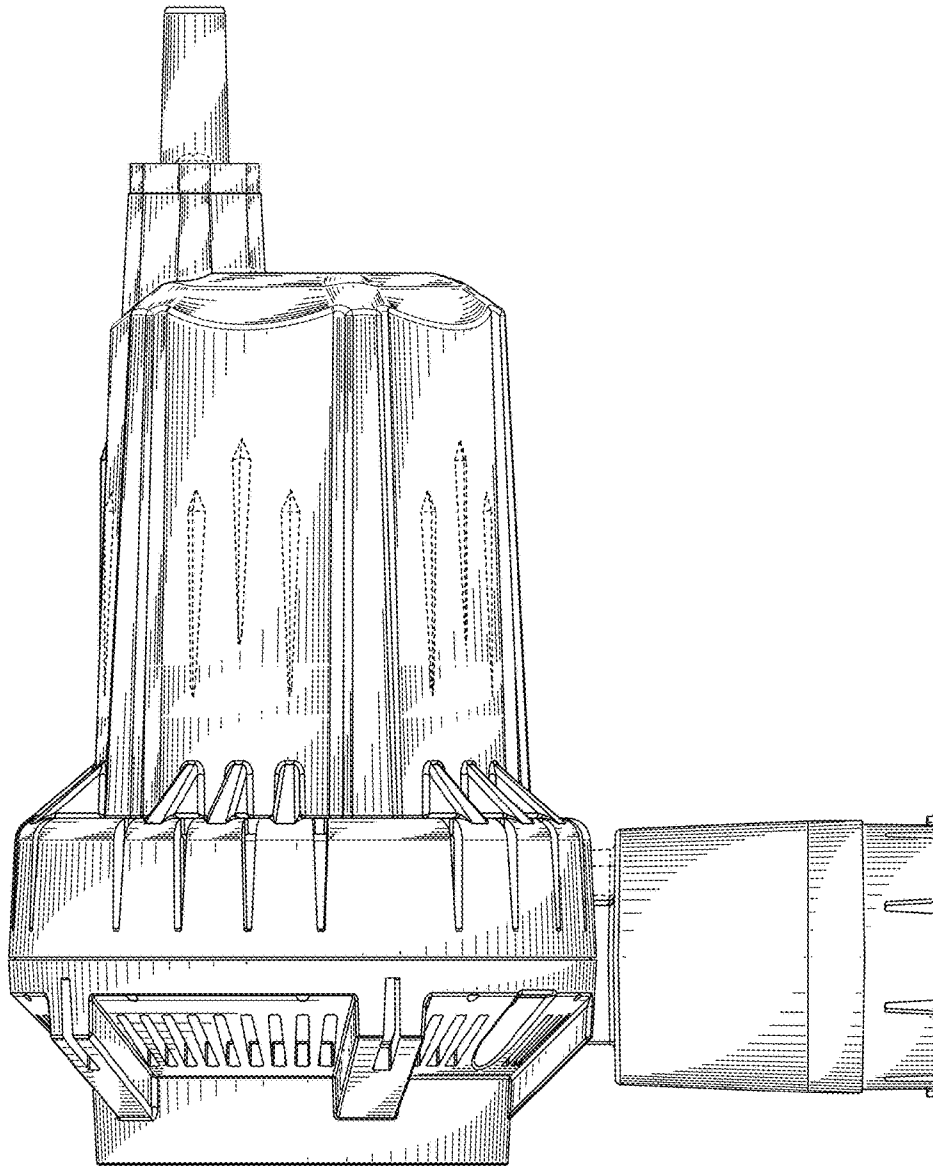


FIG. 2

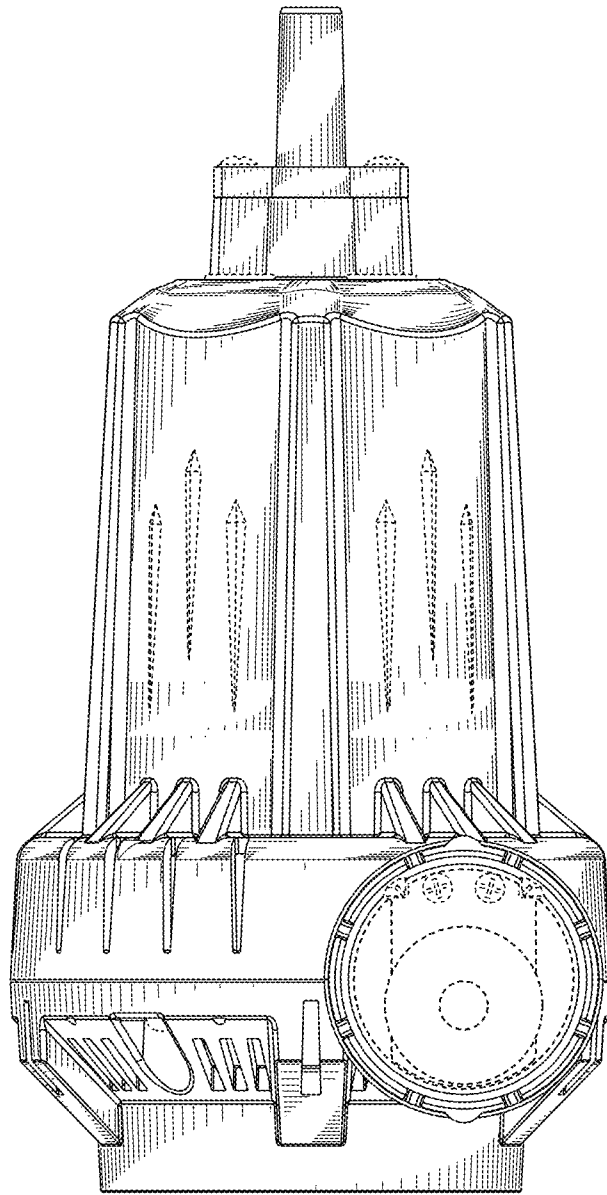


FIG. 3

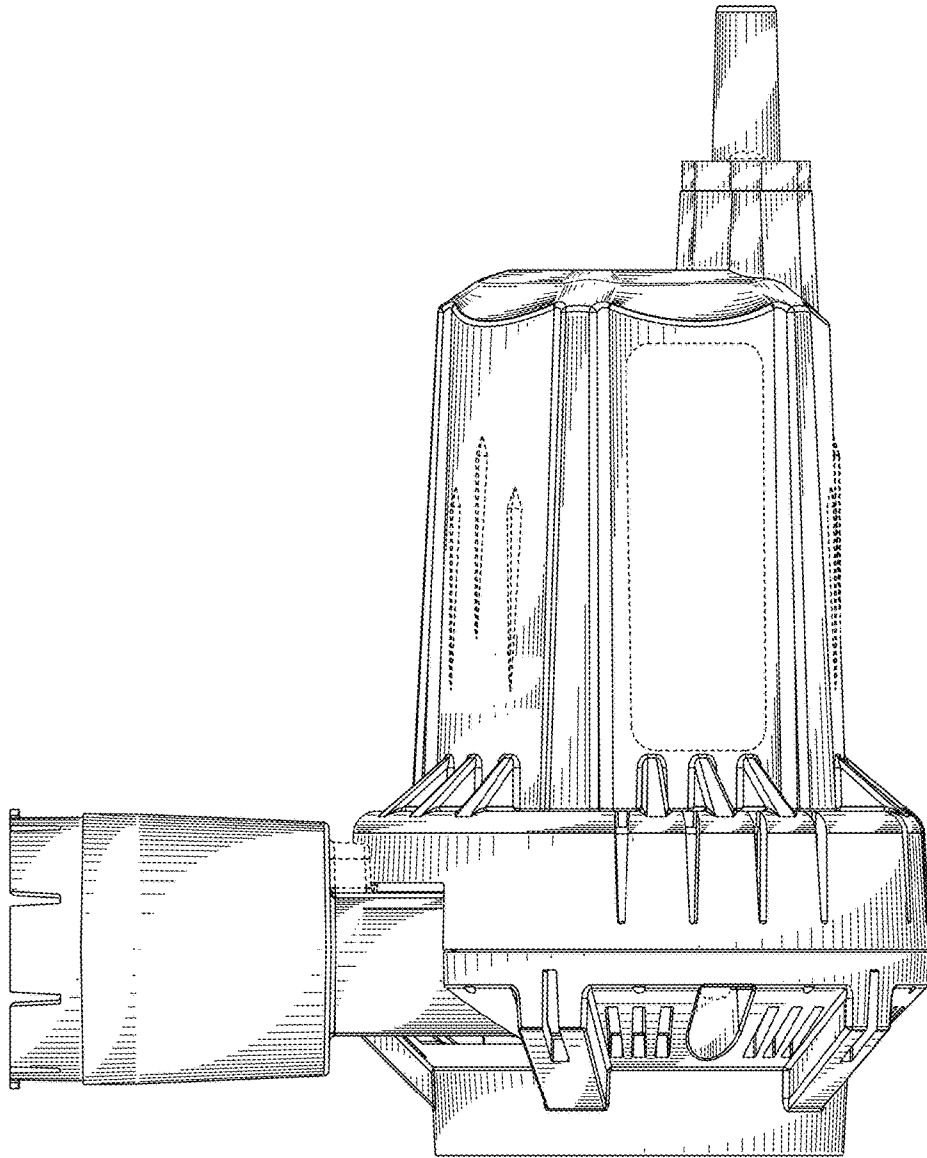


FIG. 4

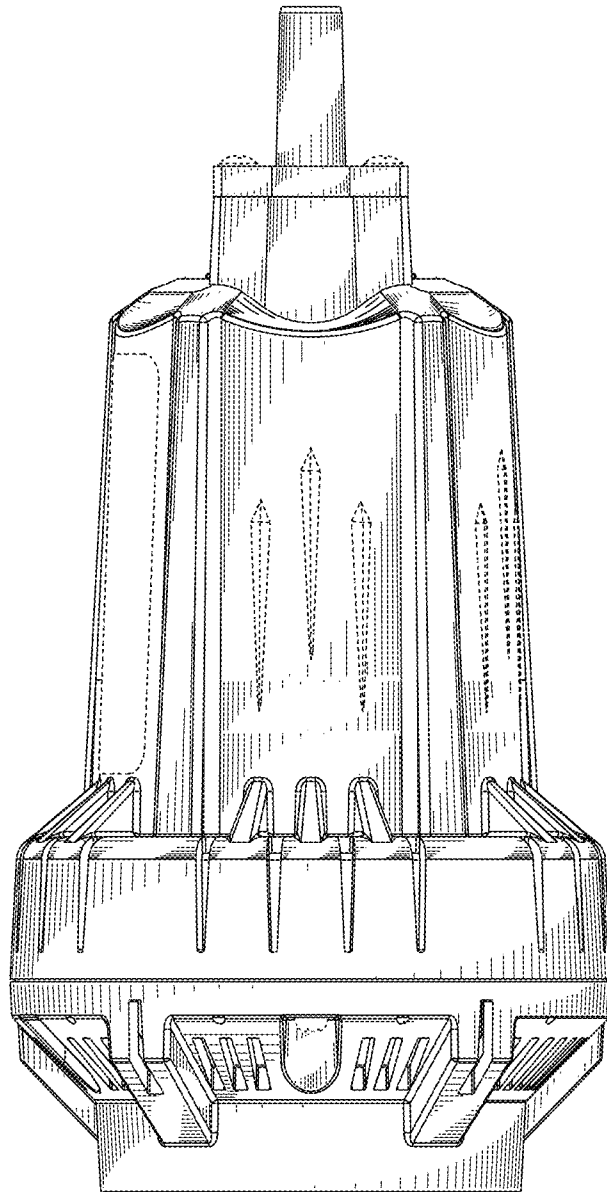


FIG. 5

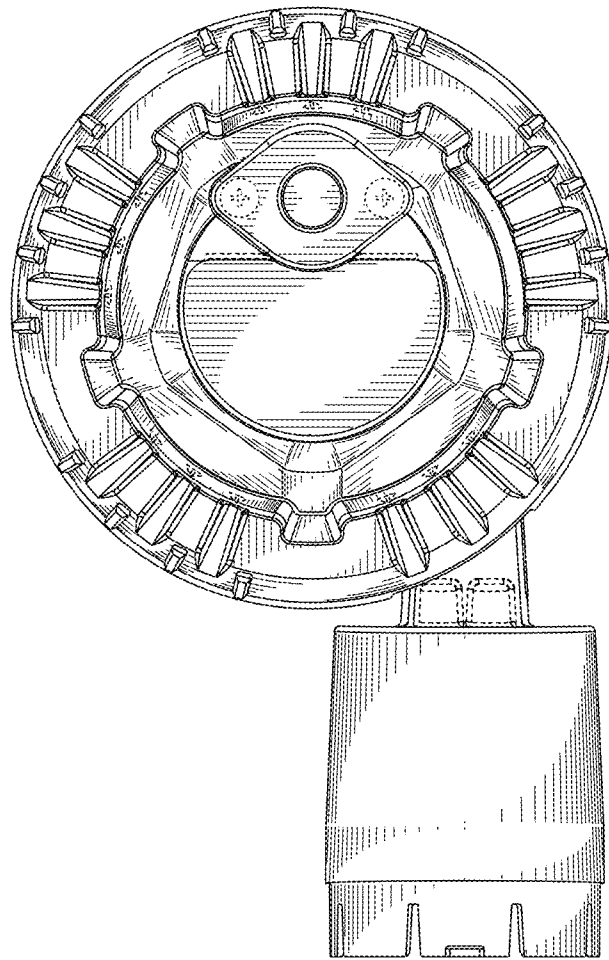


FIG. 6

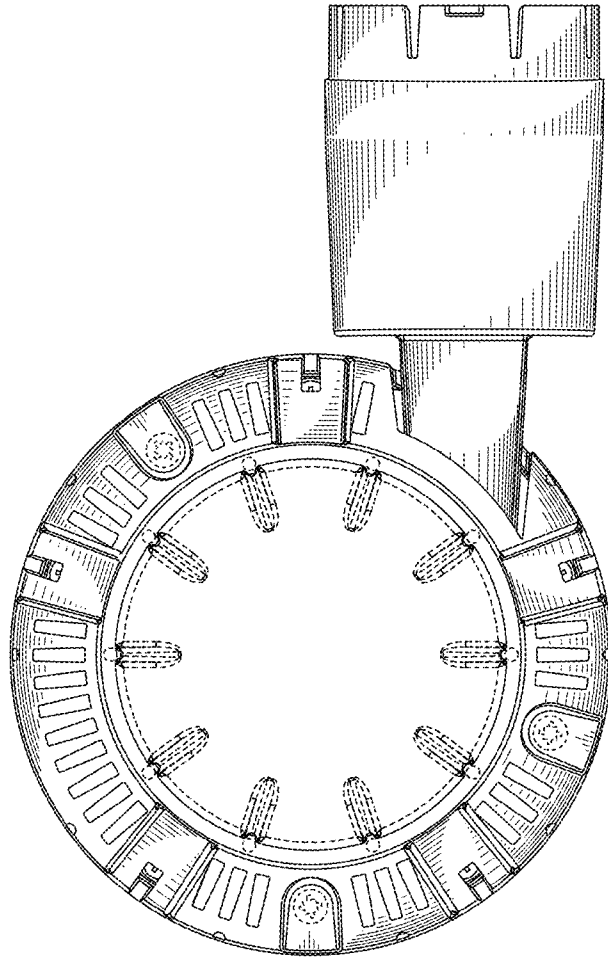


FIG. 7