



US007537439B2

(12) **United States Patent**  
**Pohler**

(10) **Patent No.:** **US 7,537,439 B2**  
(45) **Date of Patent:** **May 26, 2009**

(54) **TRANSFER PUMP**

(75) Inventor: **Donald M. Pohler**, Rochester, NY (US)

(73) Assignee: **Liberty Pumps Inc.**, Bergen, NY (US)

(\* ) Notice: Subject to any disclaimer, the term of this patent is extended or adjusted under 35 U.S.C. 154(b) by 719 days.

(21) Appl. No.: **10/824,724**

(22) Filed: **Apr. 15, 2004**

(65) **Prior Publication Data**

US 2005/0232796 A1 Oct. 20, 2005

(51) **Int. Cl.**

**F04B 35/04** (2006.01)

**F01D 25/16** (2006.01)

**H02K 9/06** (2006.01)

(52) **U.S. Cl.** ..... **417/423.11**; 417/423.8;  
415/109; 415/111; 310/62

(58) **Field of Classification Search** ..... 310/62,  
310/63; 415/111, 204, 109, 230, 231; 417/423.1,  
417/423.8, 423.11

See application file for complete search history.

(56) **References Cited**

**U.S. PATENT DOCUMENTS**

2,312,525	A *	3/1943	Curtis	.....	417/423.11
2,900,919	A *	8/1959	Anderson et al.	.....	415/111
3,644,061	A *	2/1972	McFarlin	.....	415/111
4,162,419	A *	7/1979	DeAngelis	.....	310/62
4,569,638	A *	2/1986	Harker et al.	.....	417/423.11
5,248,238	A *	9/1993	Ishida et al.	.....	415/55.1
5,375,651	A *	12/1994	Colwell	.....	417/423.8
5,865,597	A *	2/1999	Ozawa	.....	415/109
6,464,471	B1 *	10/2002	Mathis et al.	.....	417/423.8

6,471,476	B1	10/2002	Diels et al.	
6,524,085	B2 *	2/2003	Shoda et al.	..... 417/423.14
6,695,576	B2 *	2/2004	Rosso et al.	..... 417/423.11
2001/0014290	A1 *	8/2001	Takura et al.	..... 417/423.8

**OTHER PUBLICATIONS**

AMT 3" Self-Priming Centrifugal Pumps, pp. 25-26, sales literature # 287X-CP / 0901, AMT, Royersford, PA, USA.

Self-Priming Washdown Pump, amazon.com website, <http://www.amazon.com/exec/obidos/ASIN/B0000AYF8K/inktomisg-20/ref%3Dnosim/102-7784242-8174565>.

AMT Self-Priming Cast Iron Centrifugal Pump, pp. 21-22, sales literature # 285X-CP-0901, AMT, Royersford, PA, USA.

Self-Priming Centrifugal Pump, moniba.net website, <http://www.moniba.net/indus2.htm>.

Mityflex Peristaltic Pumps, ankoproducts.com website, [http://www.ankoproducts.com/self\\_priming\\_pumps.html](http://www.ankoproducts.com/self_priming_pumps.html).

Ebara Pro-Steel Self Priming Pump, [www.pumps-direct.com](http://www.pumps-direct.com) website, <http://www.pumps-direct.com/self-pri.htm>.

Zoeller Pump co. "High Capacity" Water Mover, [www.zoeller.com](http://www.zoeller.com) website, <http://www.zoeller.com/zcopump/products/sumpeff/314.htm>.

1/2 HP Portable Electric Utility Pump, [waynepumps.com](http://www.waynepumps.com) website, <http://www.waynepumps.com/products/print.php?PC4>.

(Continued)

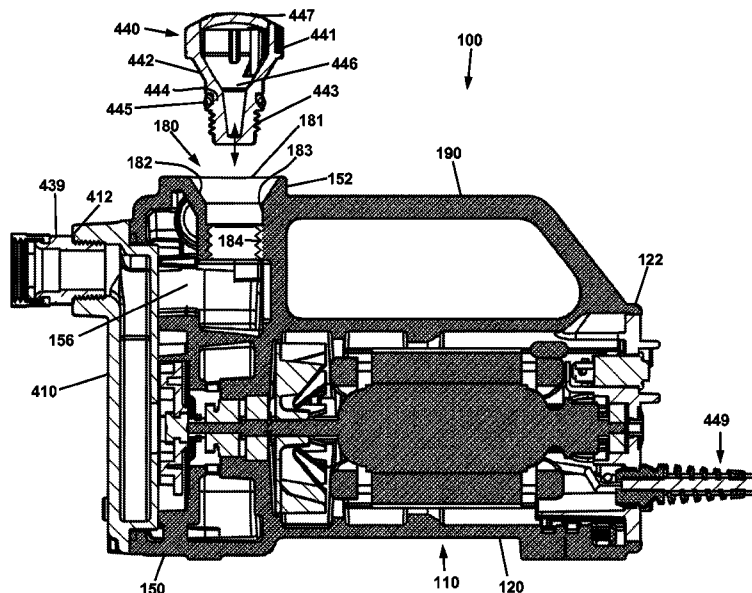
*Primary Examiner*—Charles G Freay

(74) *Attorney, Agent, or Firm*—Patent Innovations LLC; John M. Hammond

(57) **ABSTRACT**

A portable self-priming transfer pump comprising a one piece unitary housing, comprised of a first portion that houses a motor, a second casing portion within which is formed a pump cavity, and a handle; and a one piece cover fitted to the outboard end of the second portion of the housing.

**48 Claims, 19 Drawing Sheets**



OTHER PUBLICATIONS

Pony Pump 115V 360 GPH Self-Priming, Model# 50AC110B,  
northerntool.com website, <http://www.northerntool.com/webapp/>

[wcs/stores/servlet/ProductDisplay?catalogId=4006970  
&storeId=6970&productID=16818&langId=-1](http://www.northerntool.com/webapp/wcs/stores/servlet/ProductDisplay?catalogId=4006970&storeId=6970&productID=16818&langId=-1).

\* cited by examiner

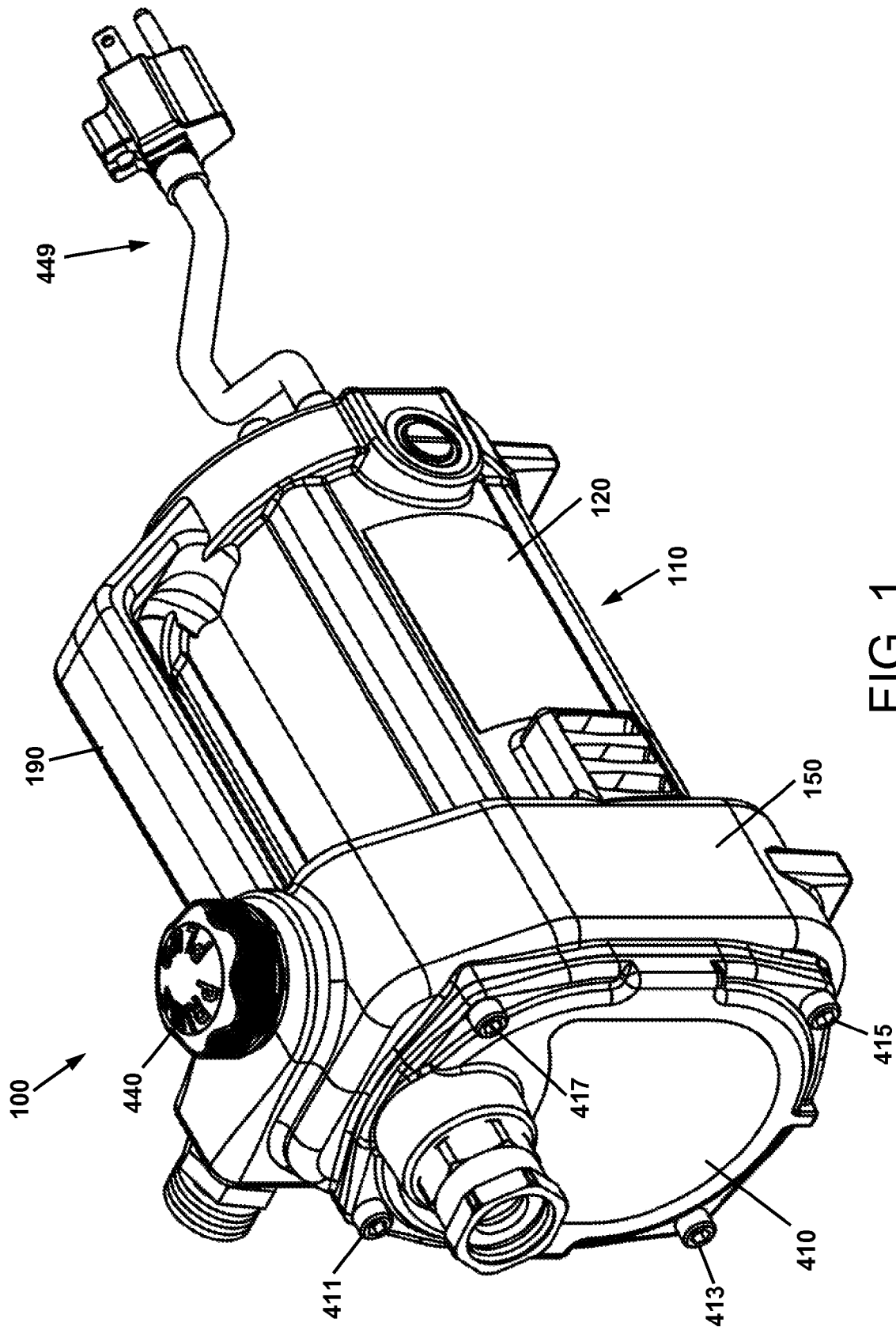


FIG. 1

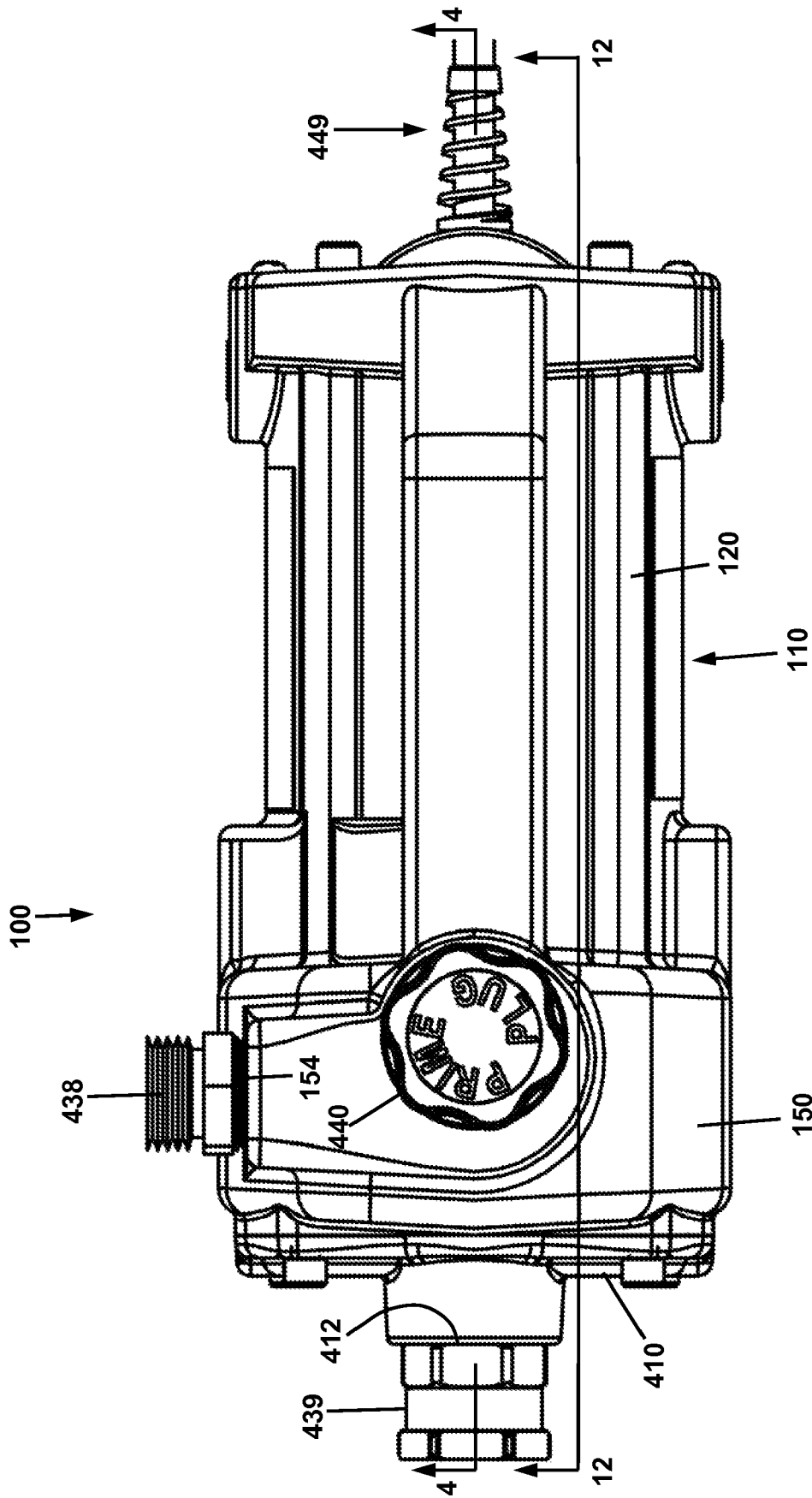


FIG. 2

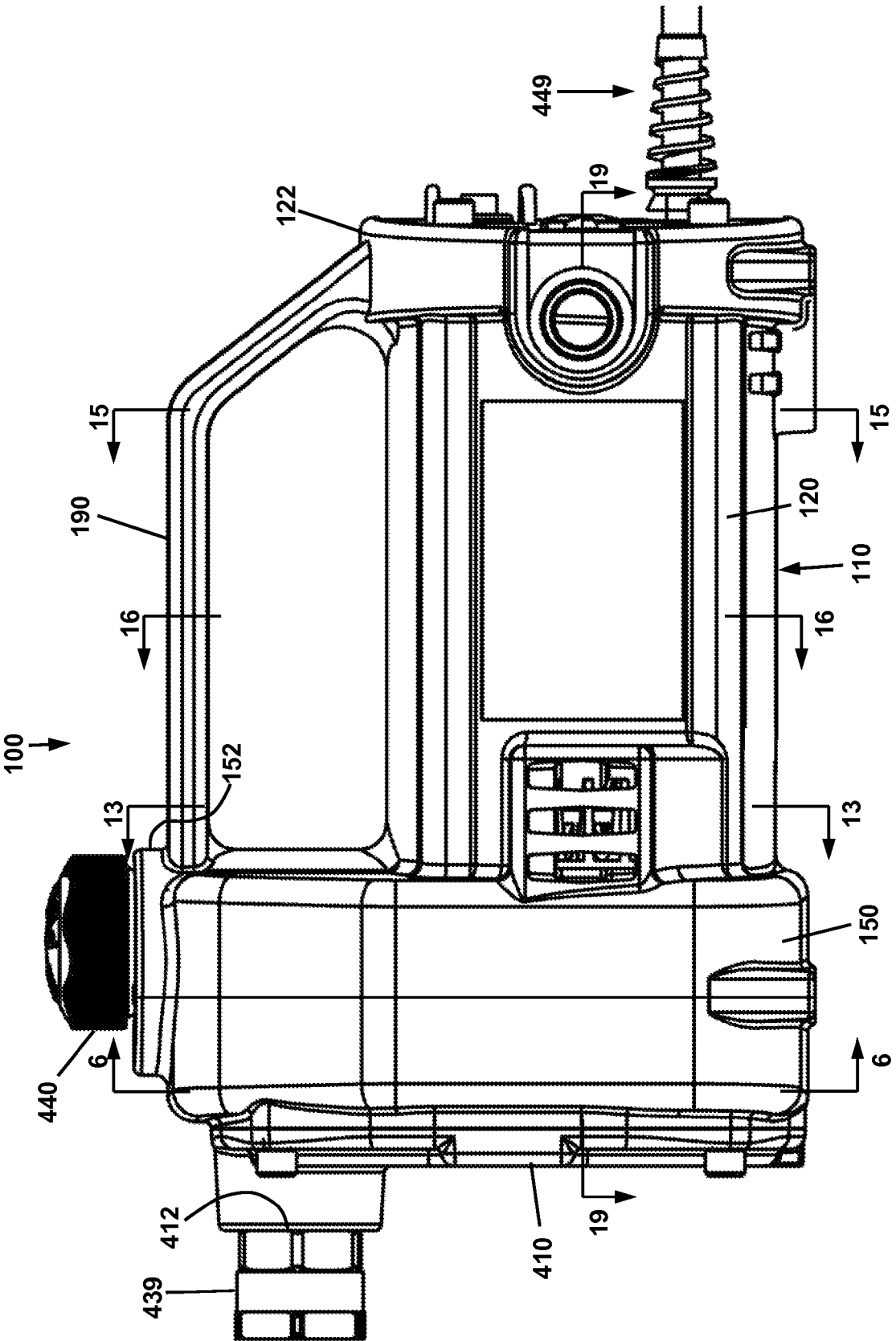
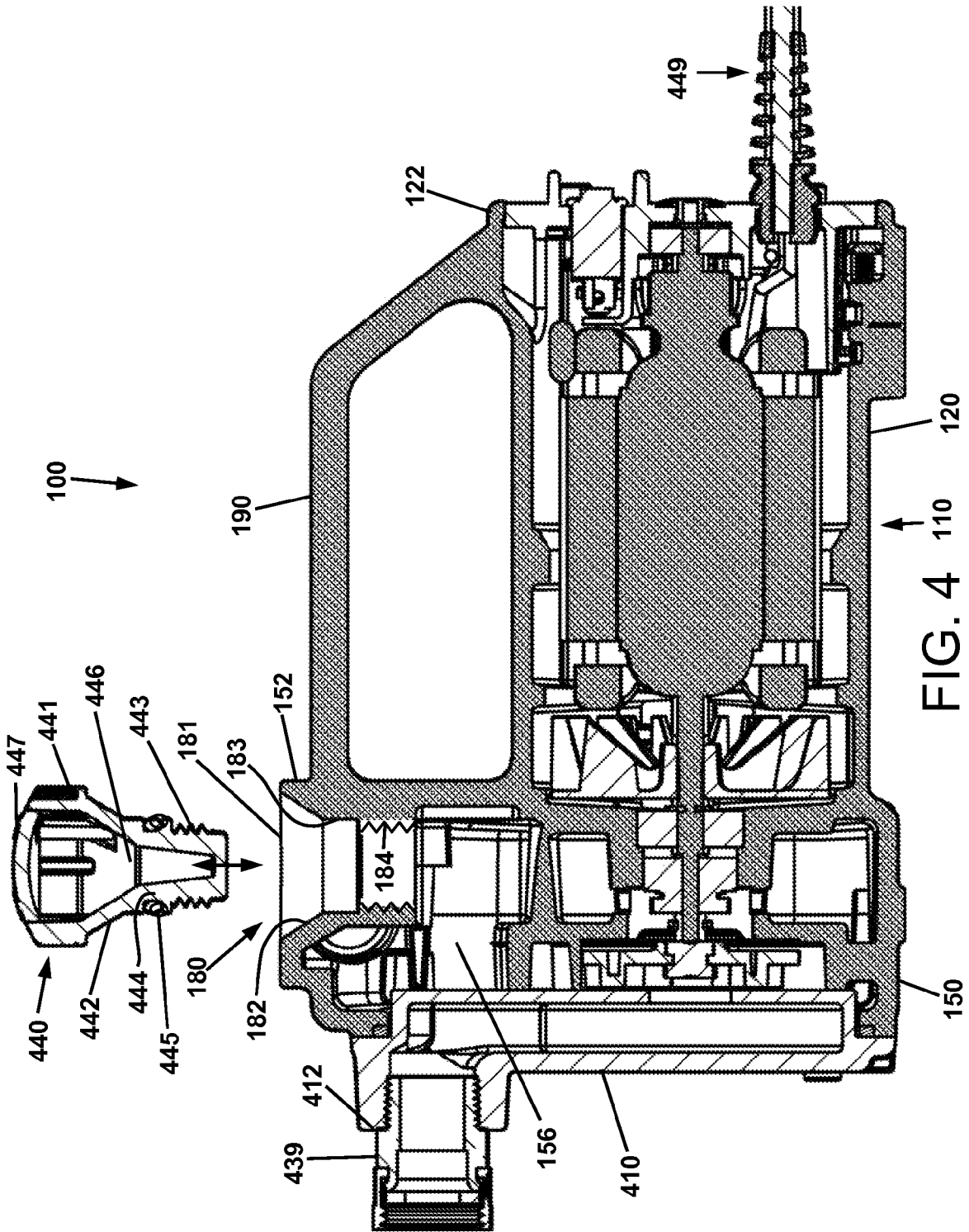


FIG. 3



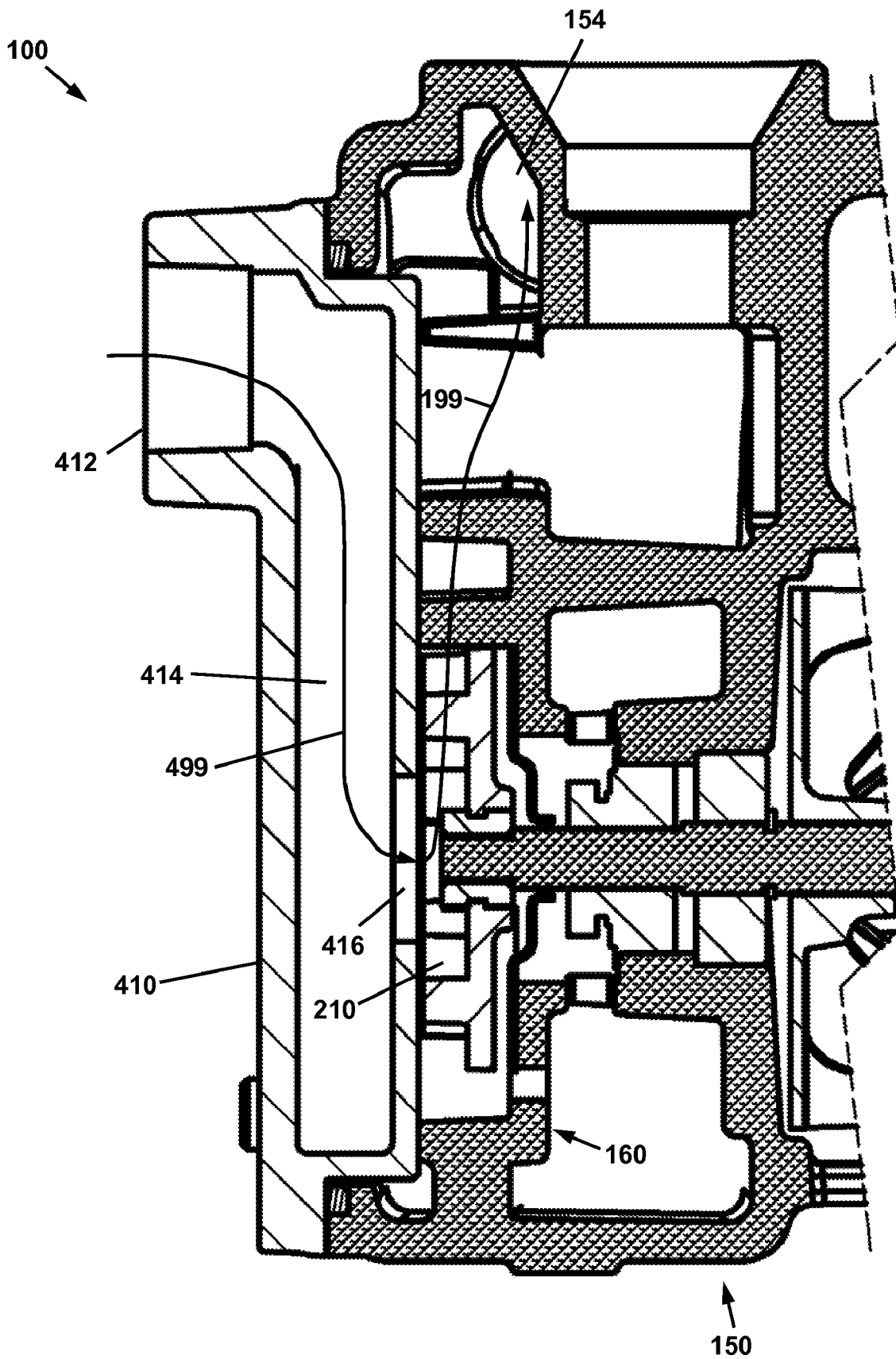


FIG. 5

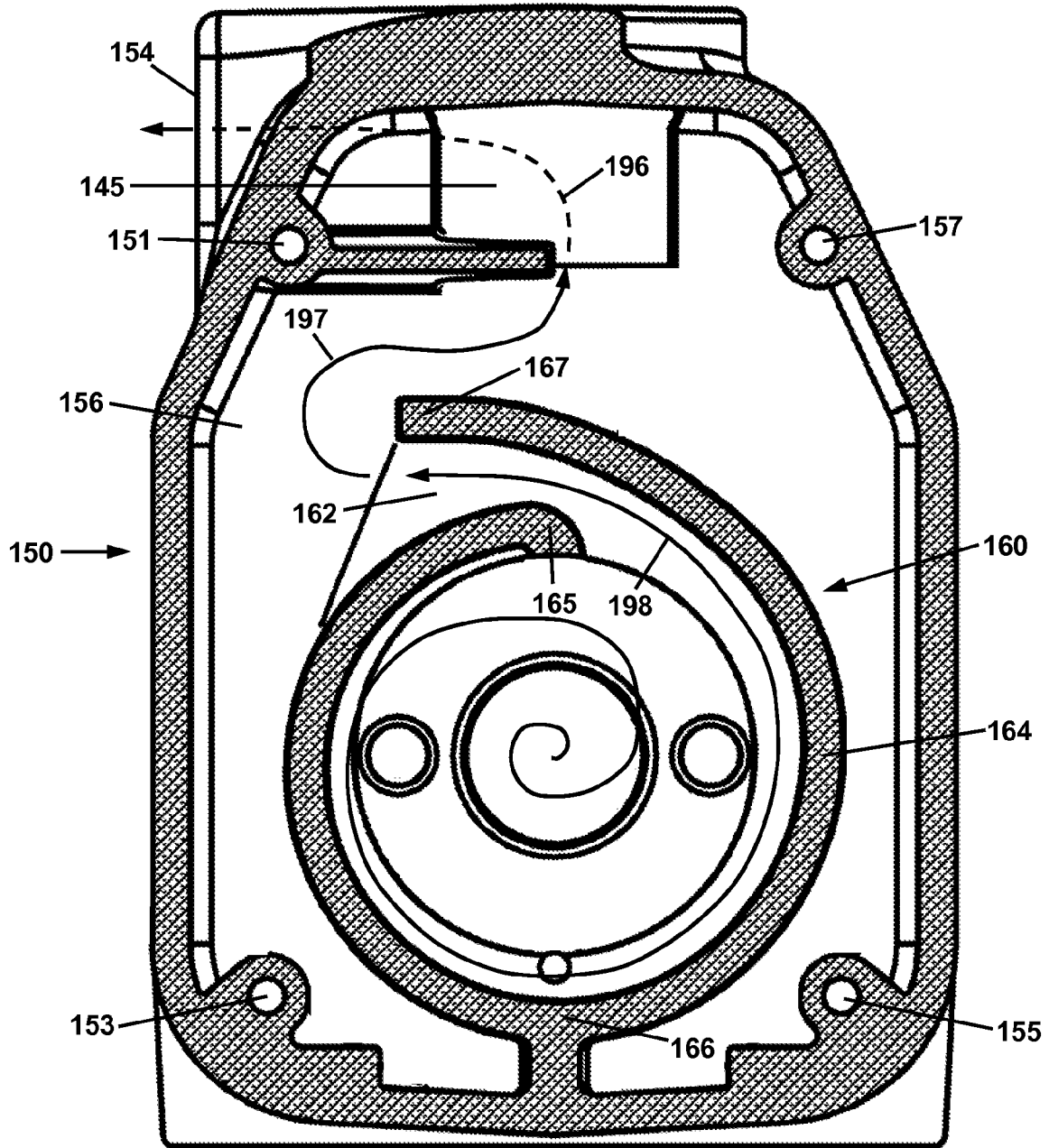


FIG. 6



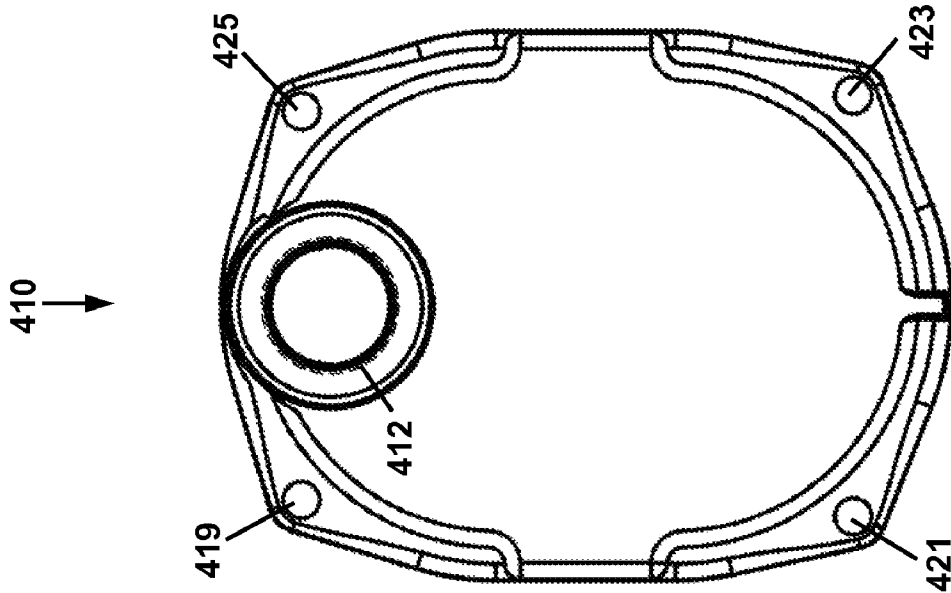
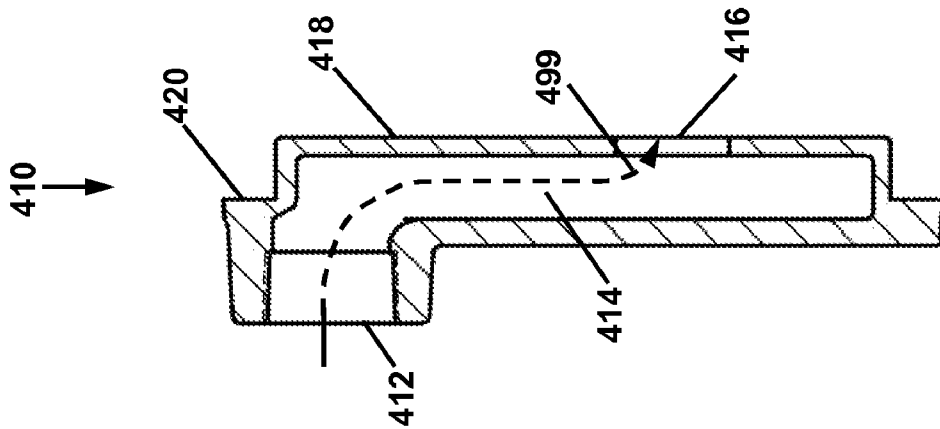
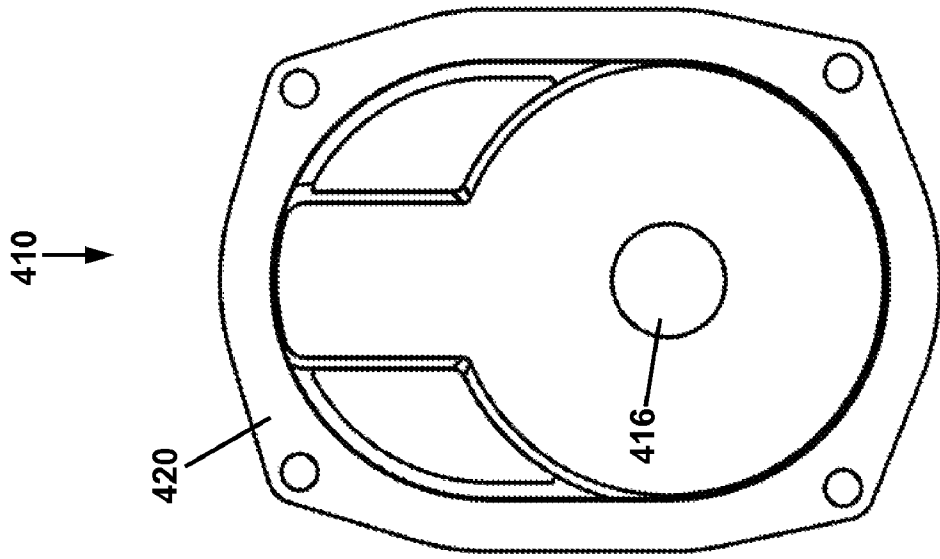


FIG. 7A

FIG. 7B

FIG. 7C

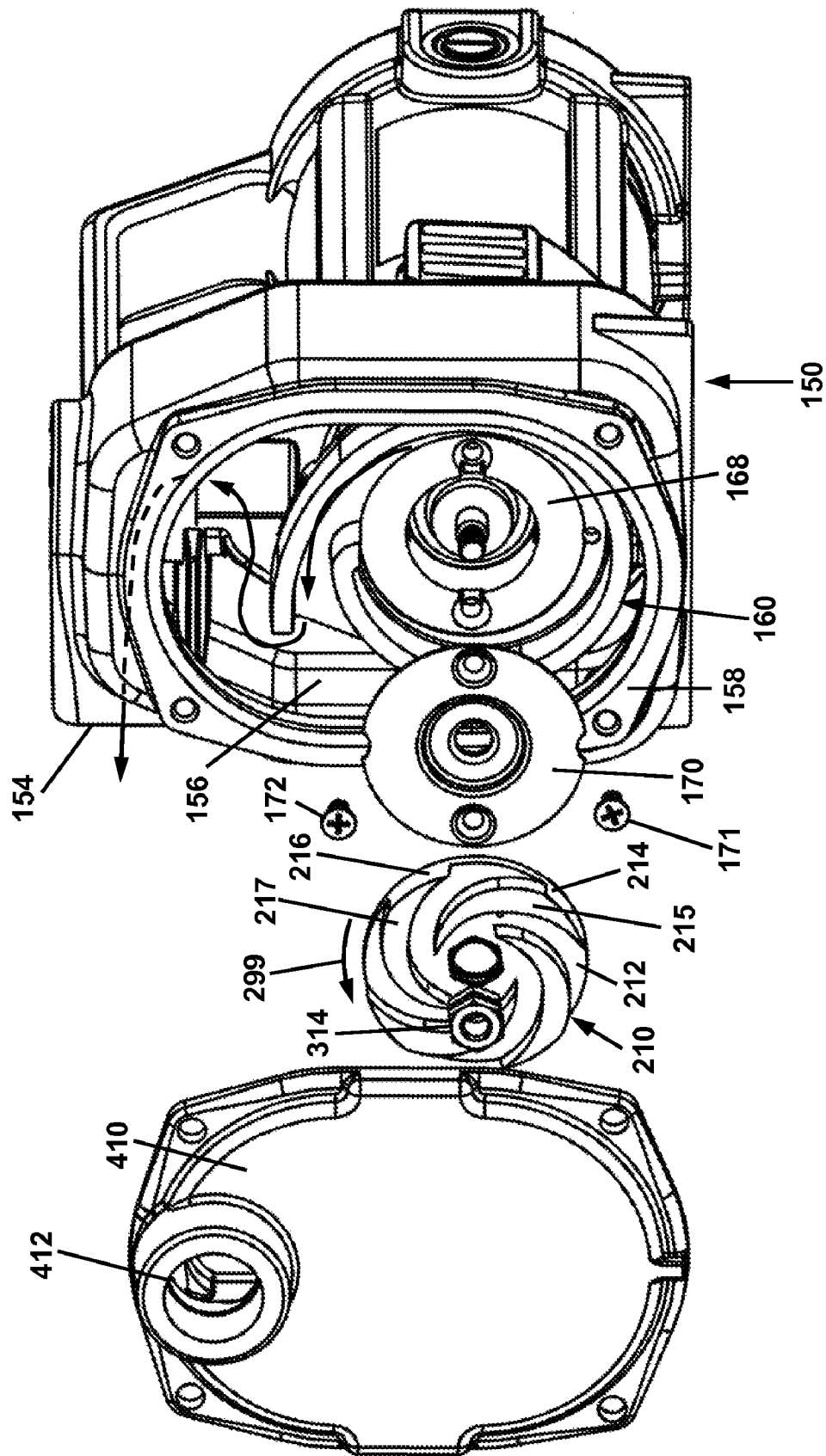


FIG. 8

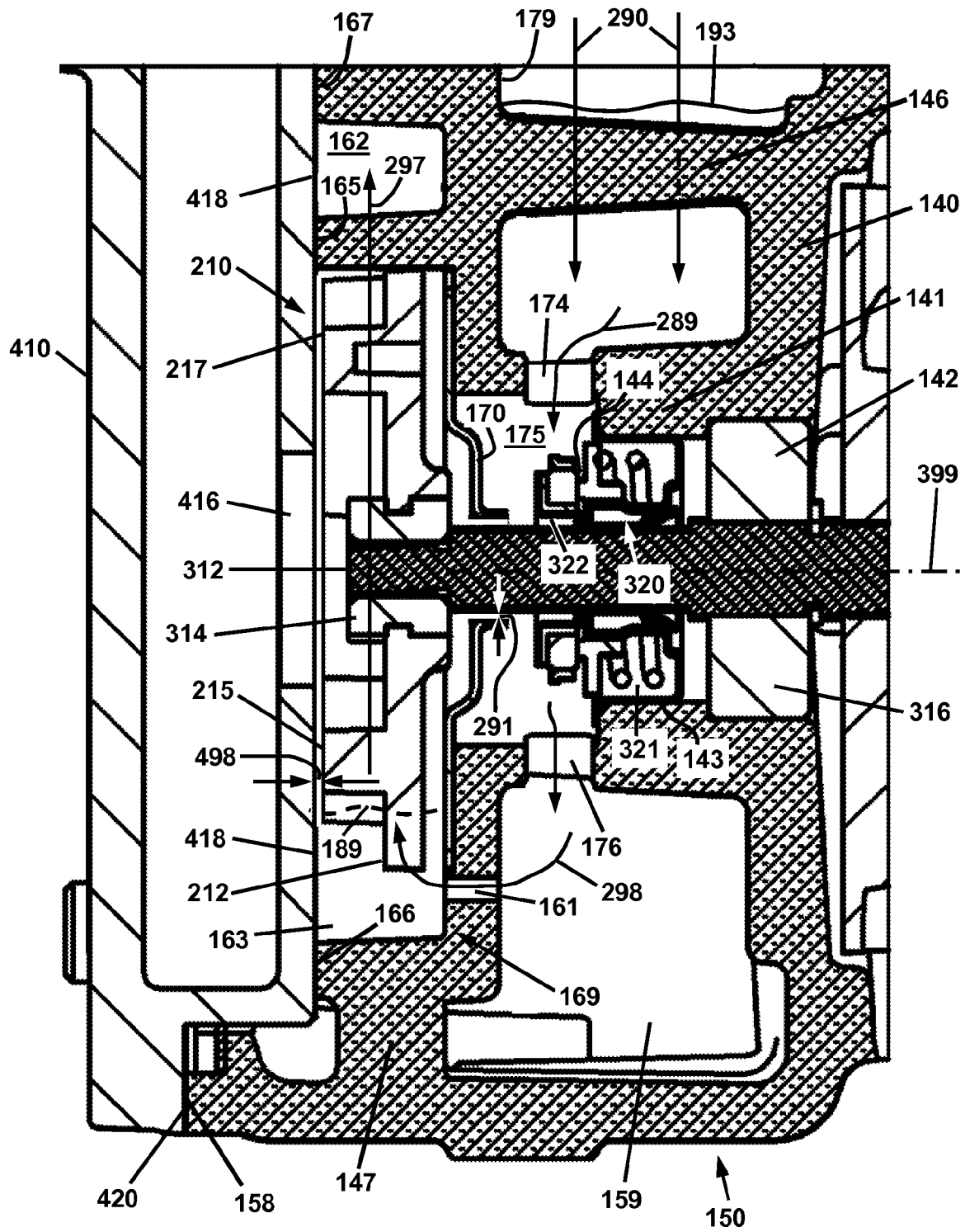


FIG. 9

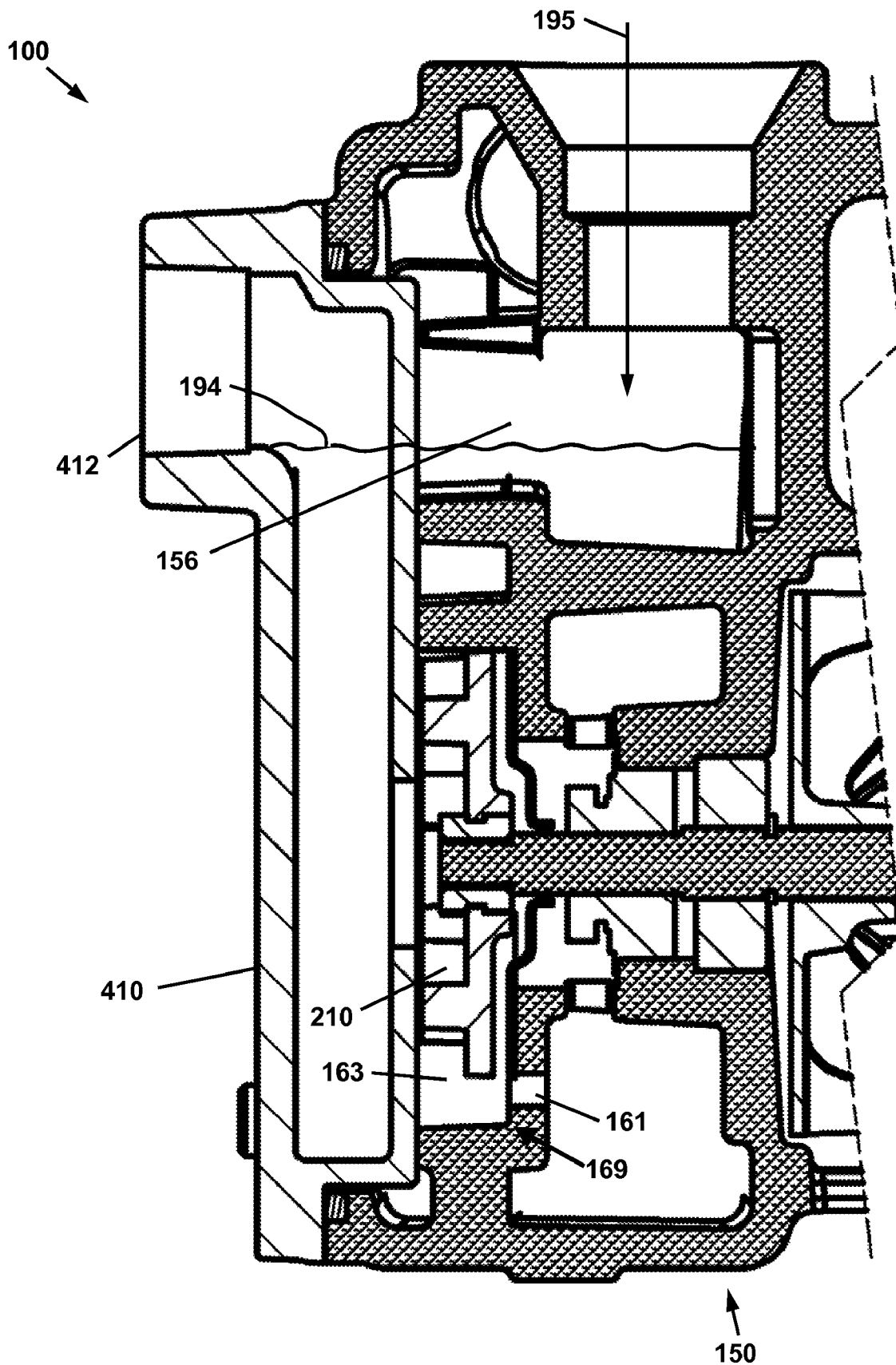


FIG. 10

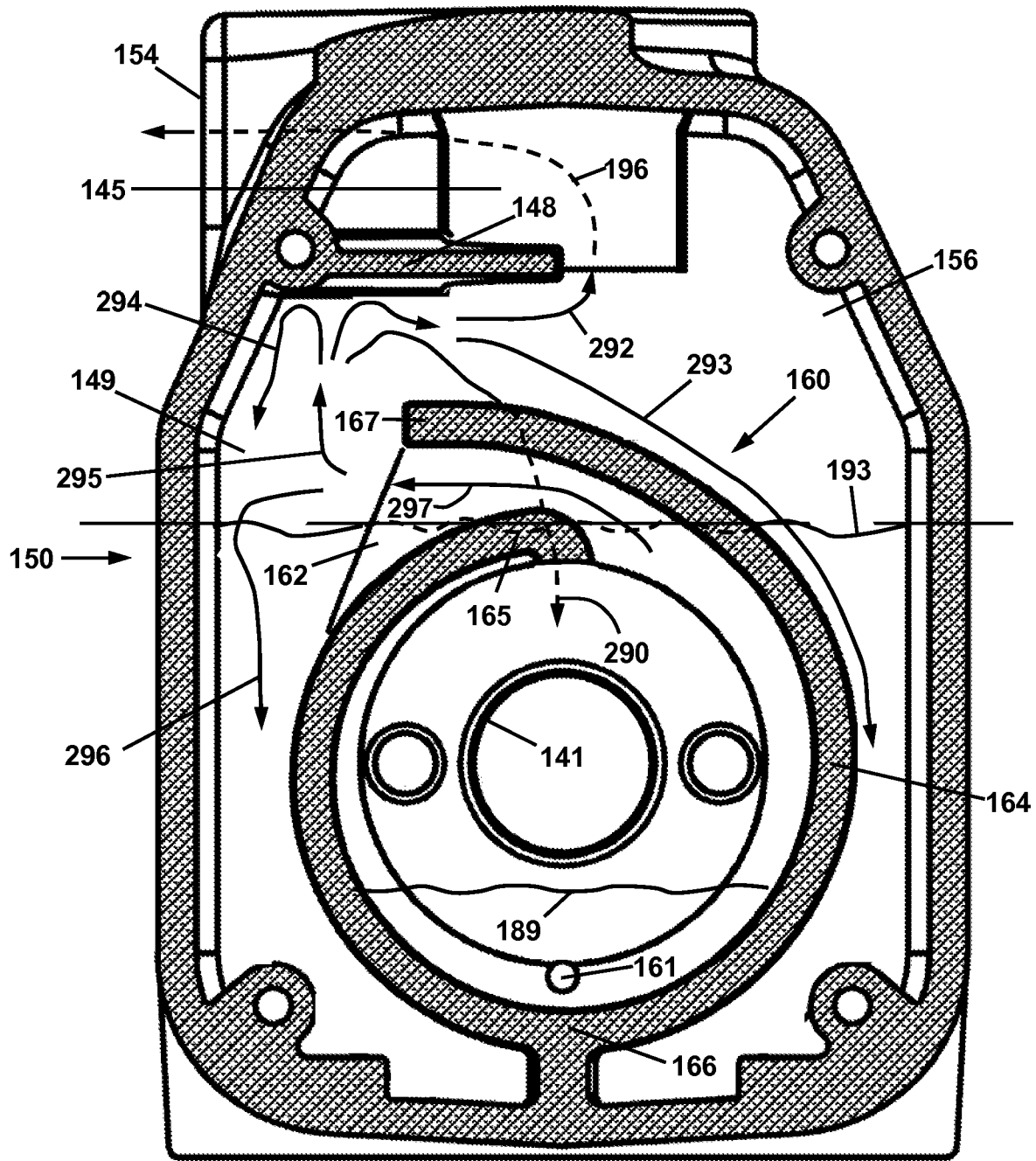


FIG. 11

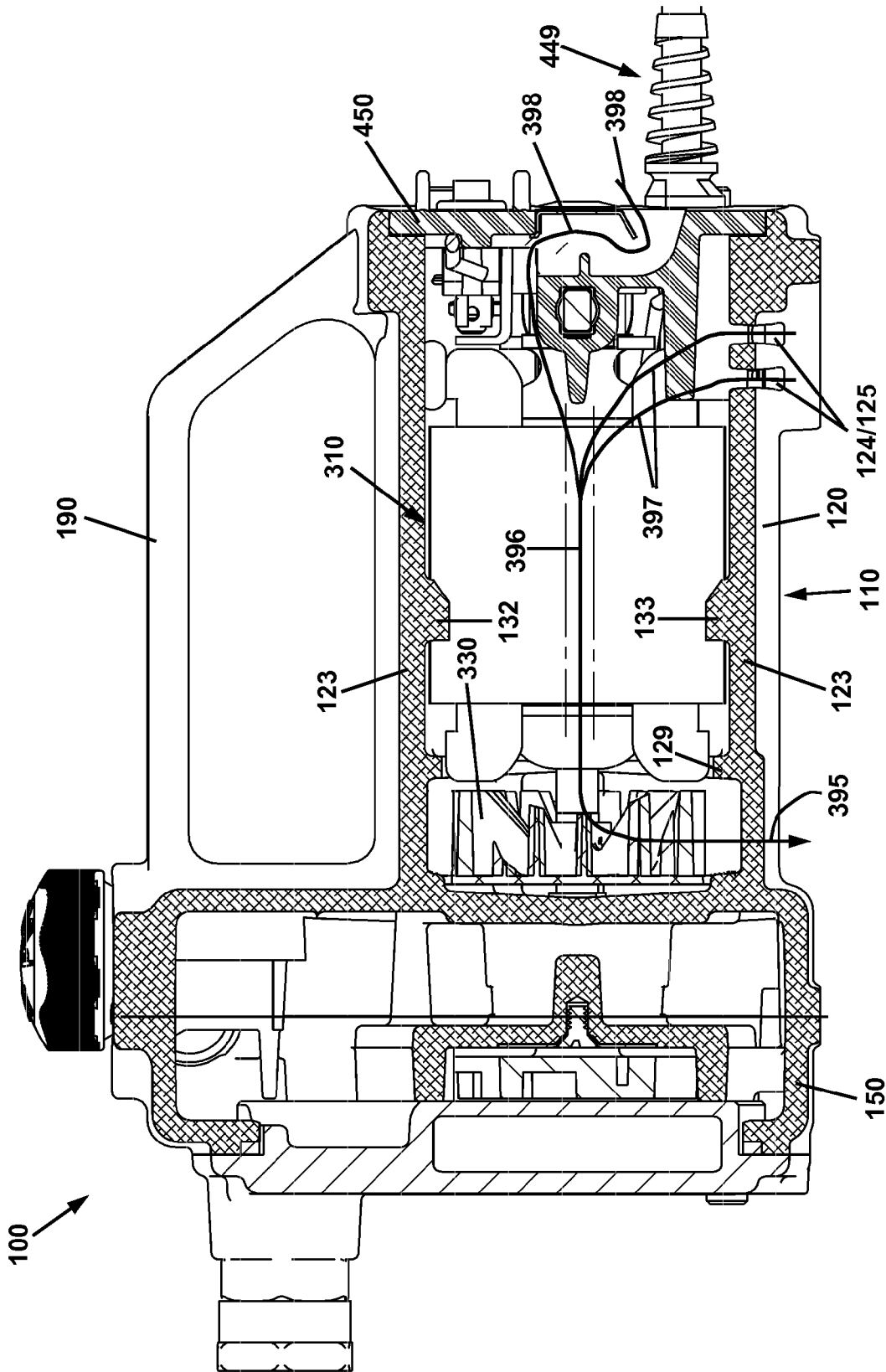


FIG. 12

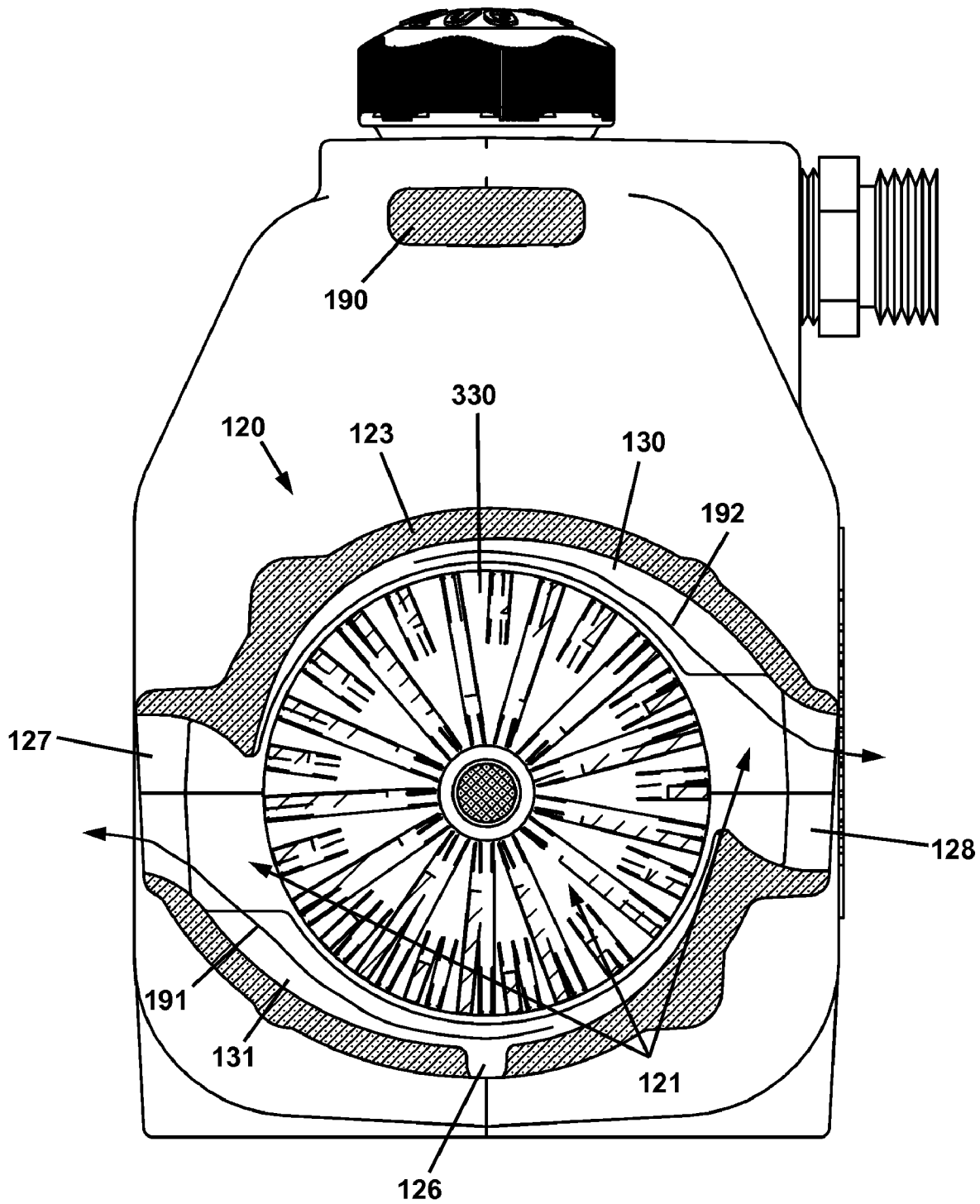


FIG. 13

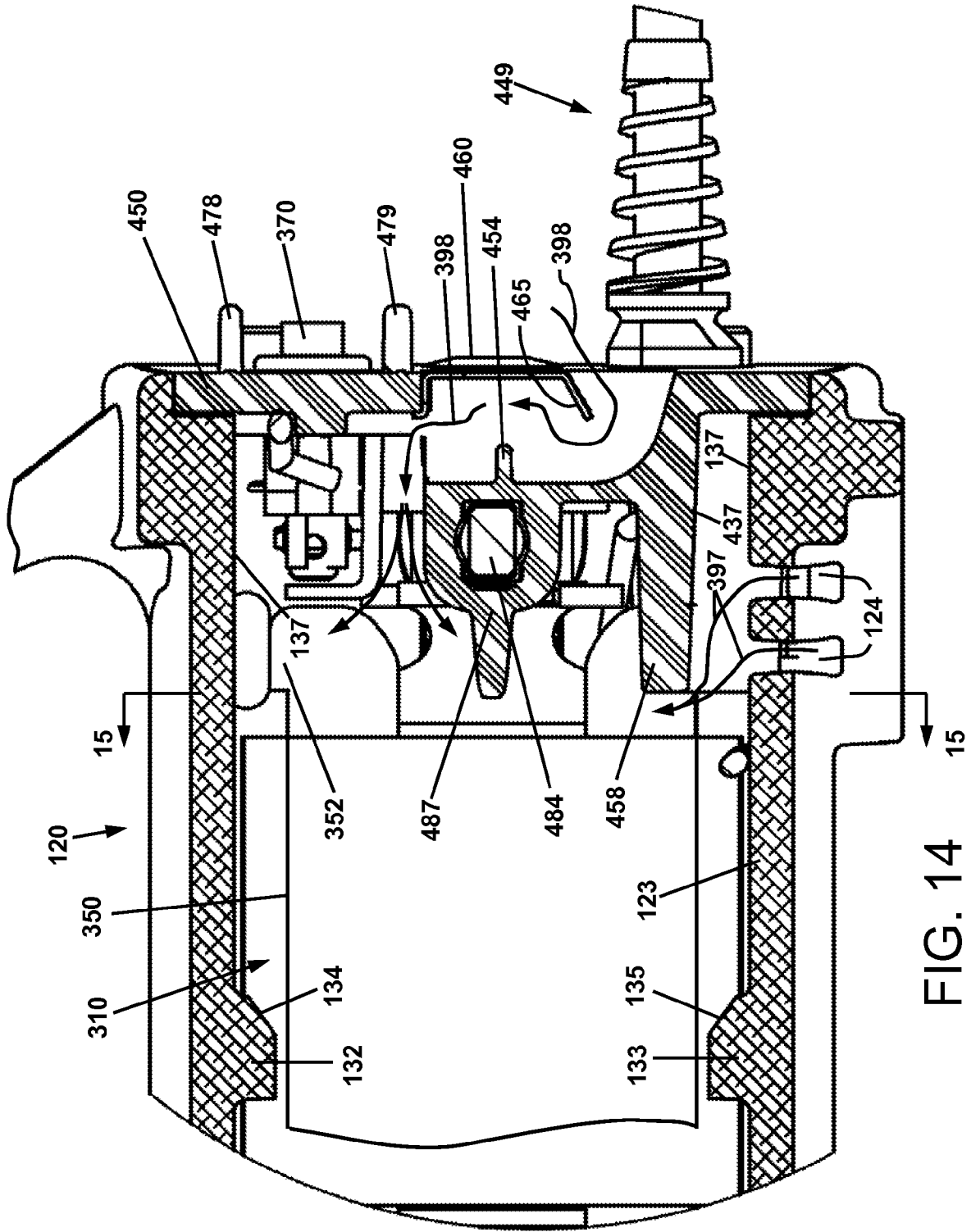


FIG. 14



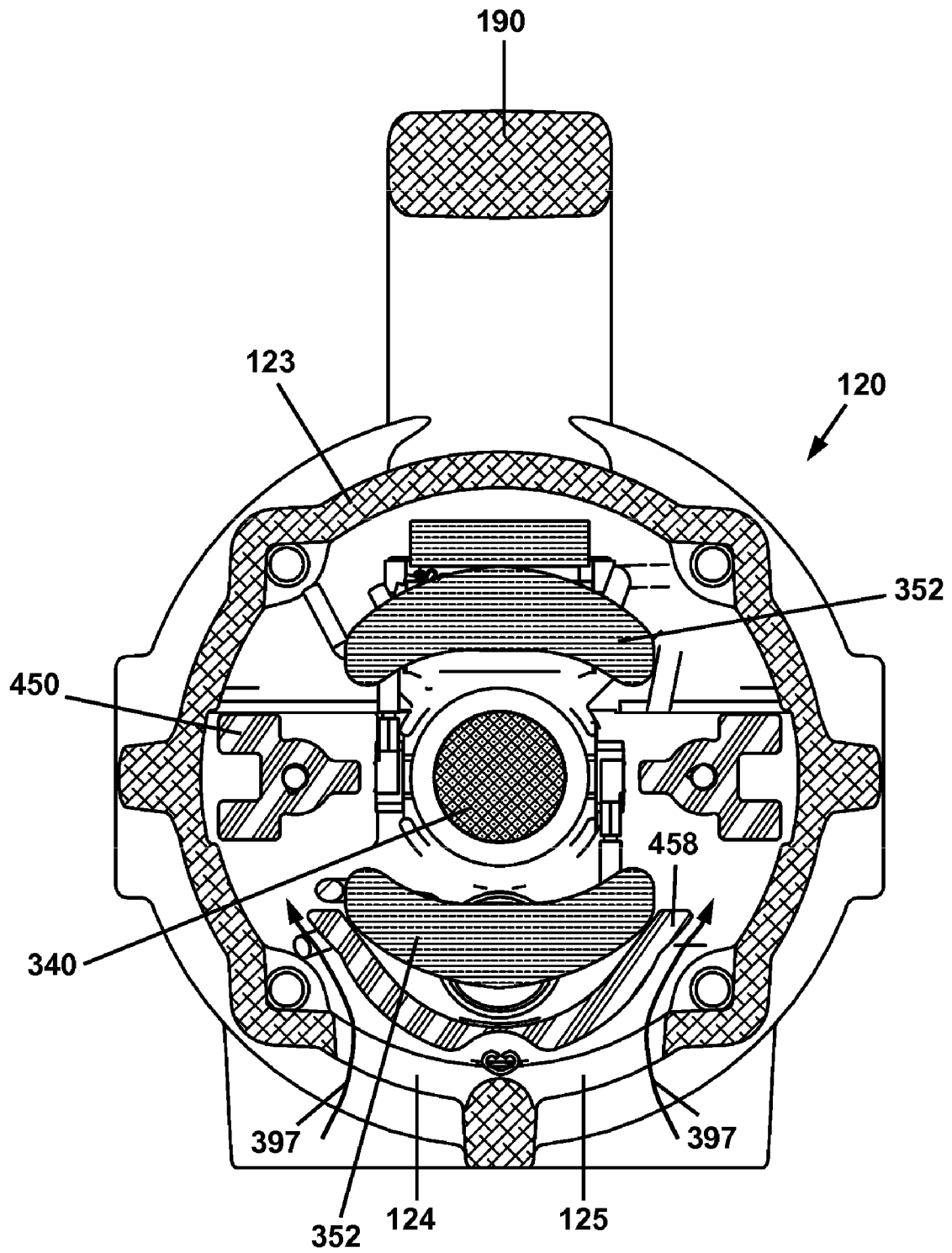


FIG. 15

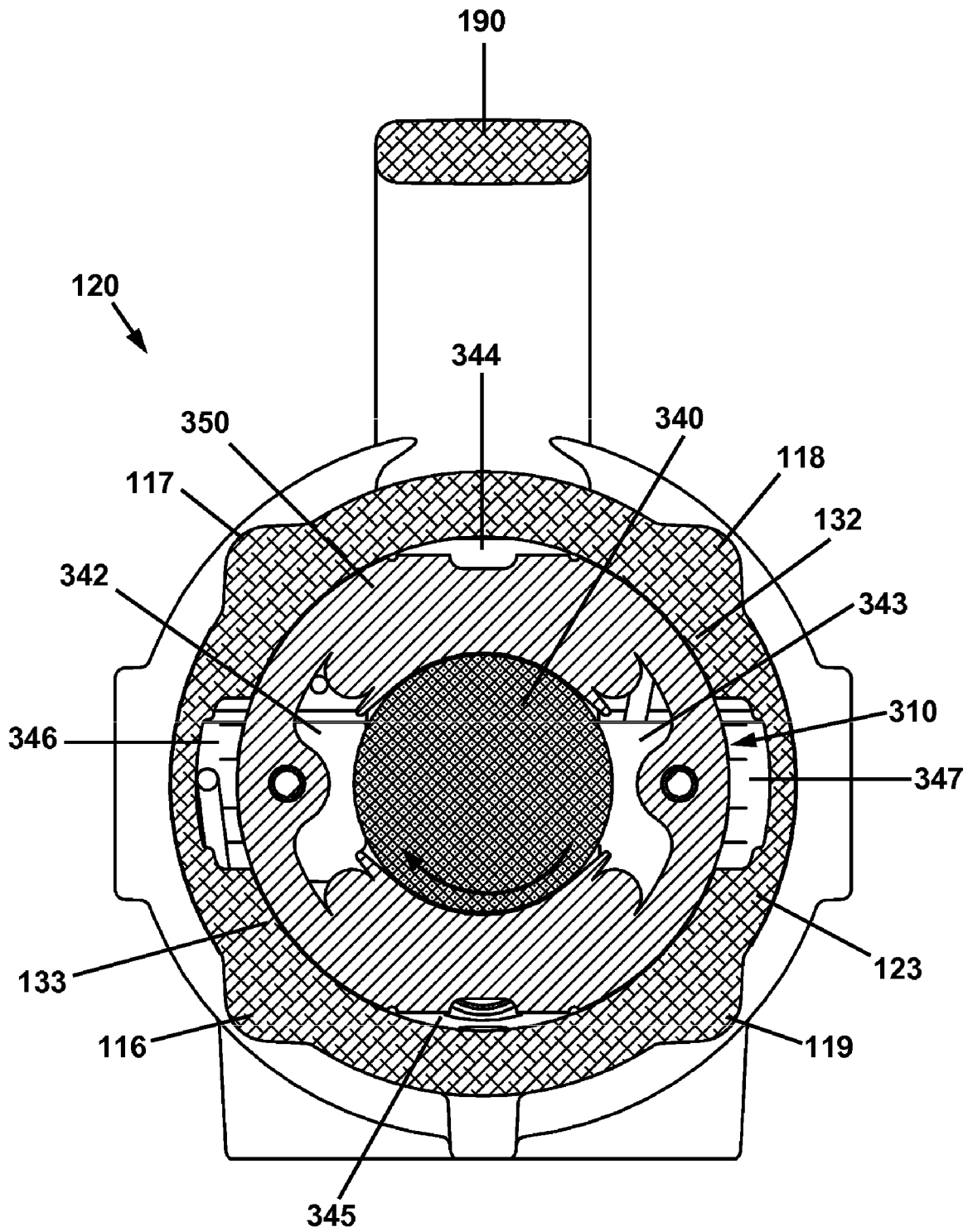


FIG. 16

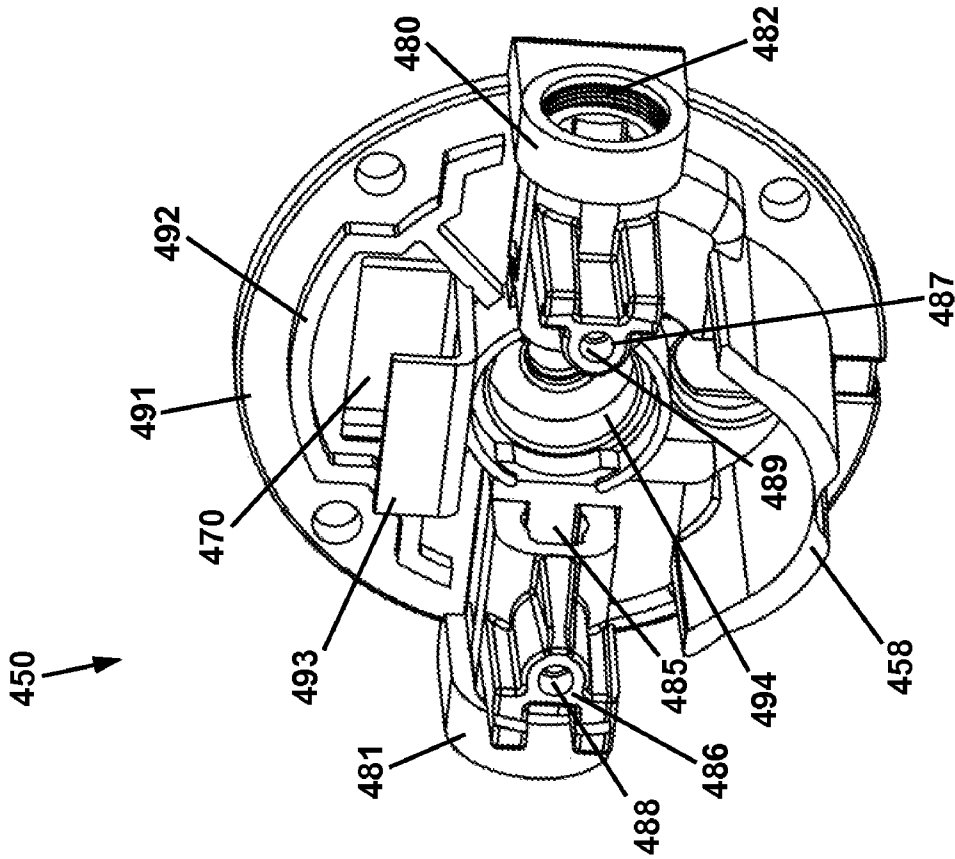


FIG. 17A

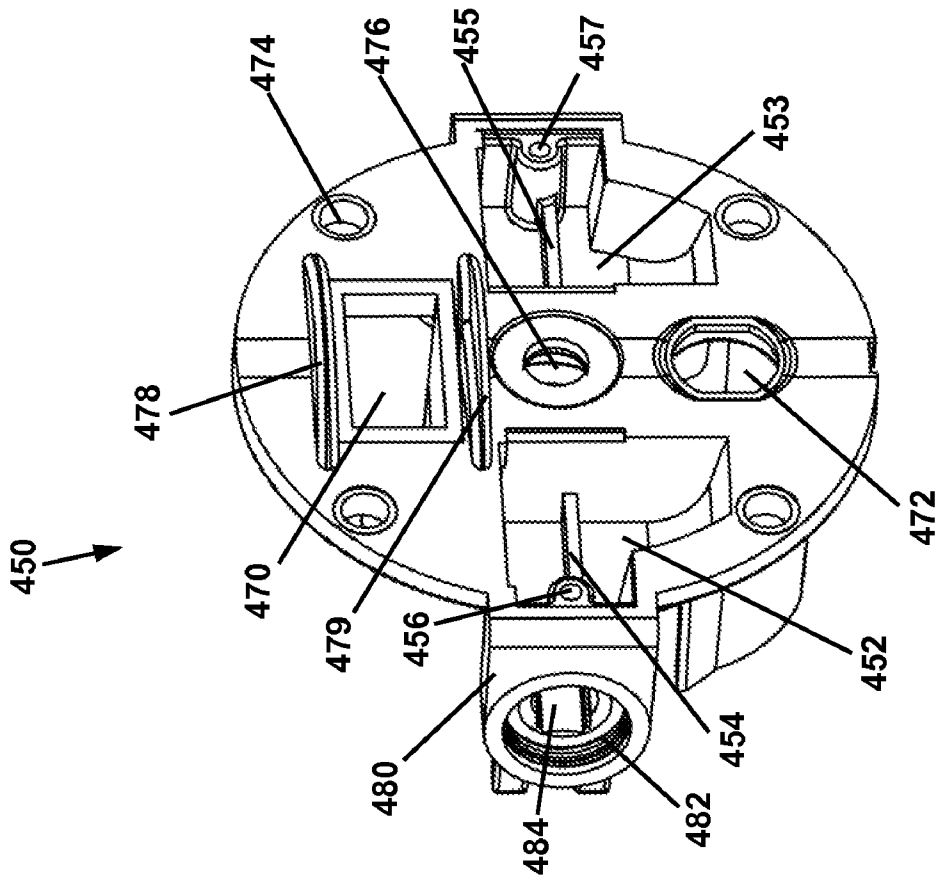


FIG. 17B

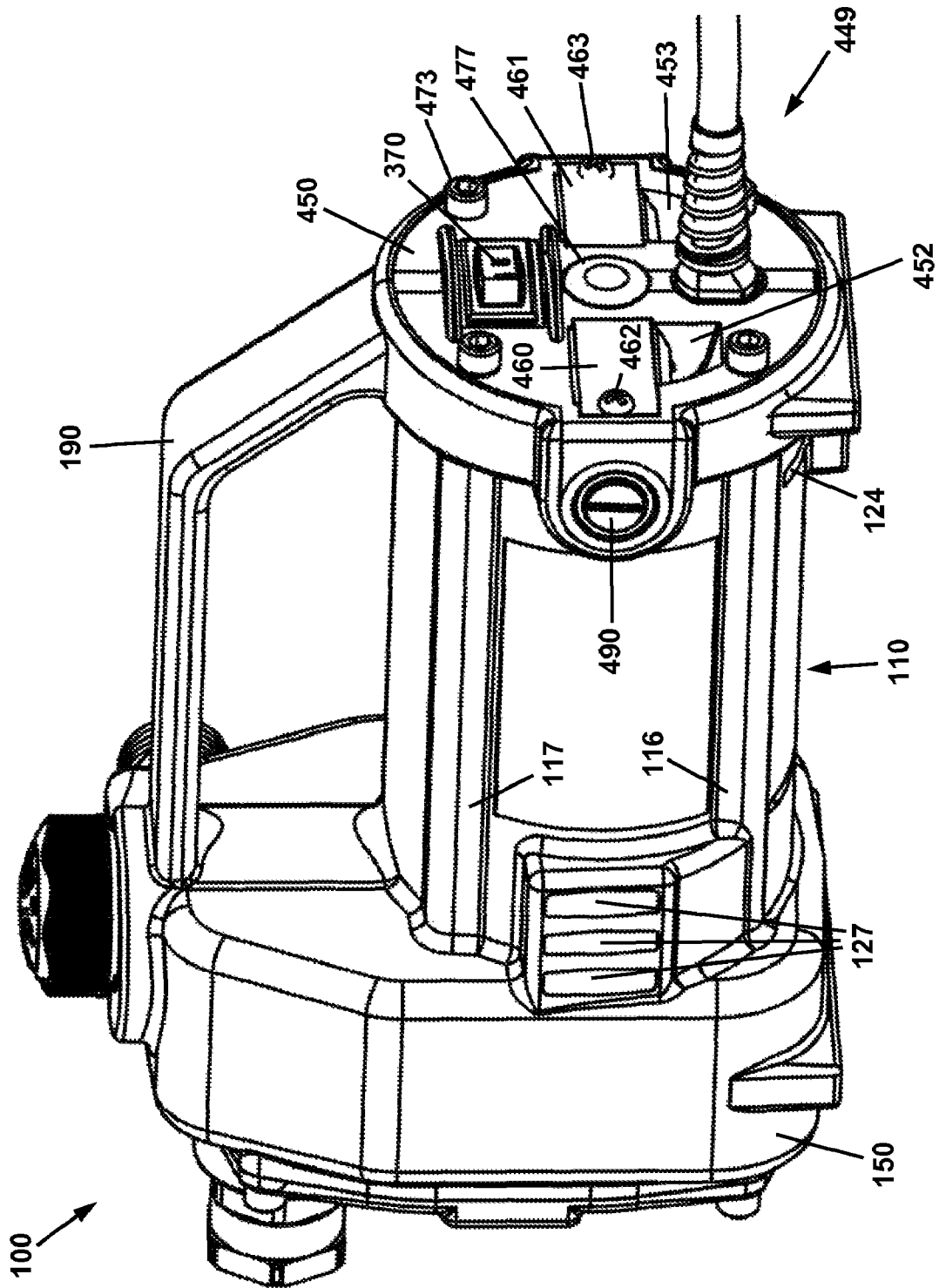


FIG. 18

FIG. 18

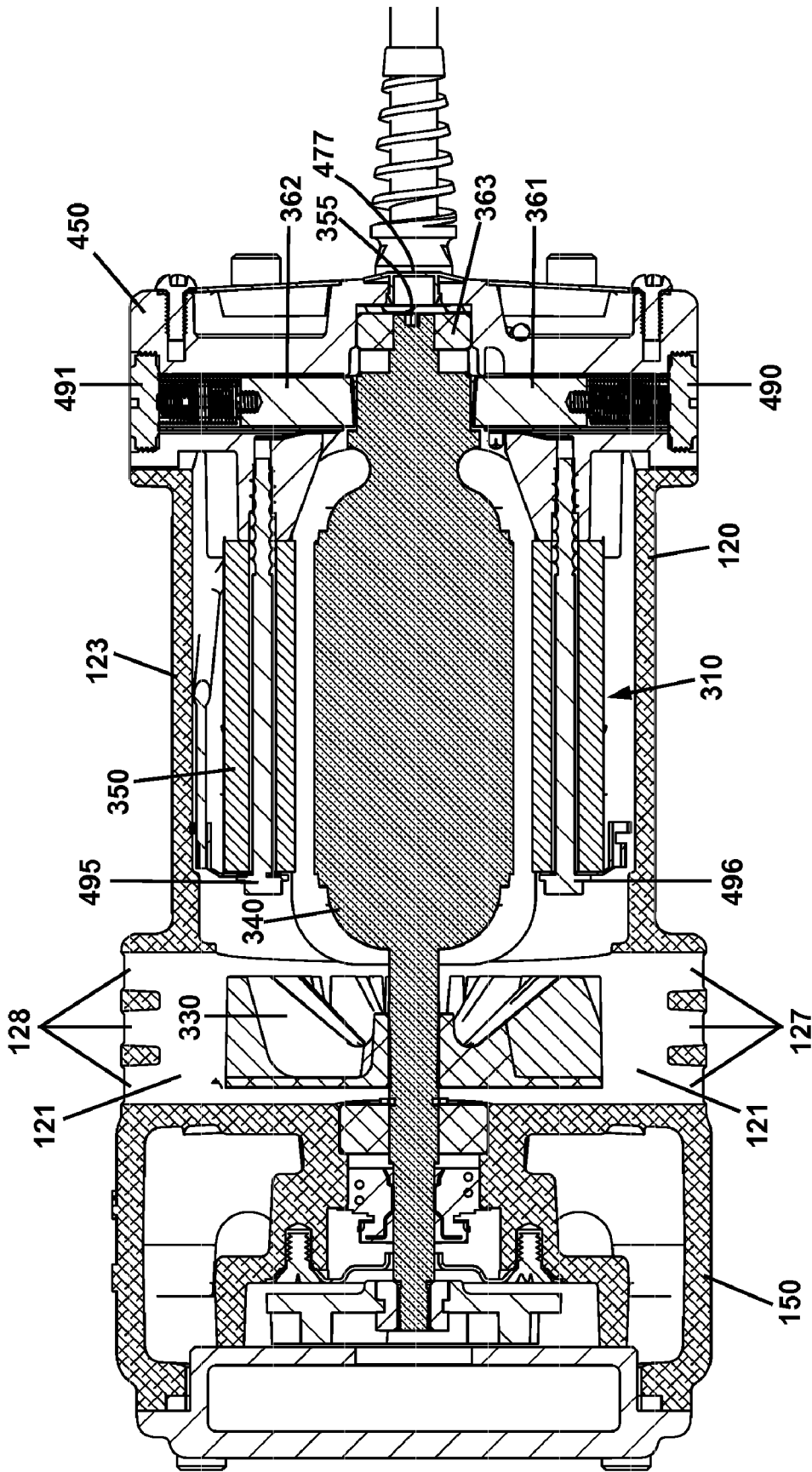


FIG.19

# 1

## TRANSFER PUMP

This invention relates in one embodiment to a liquid pump, and more particularly to a general liquid transfer pump having self-priming and seal self-lubricating capabilities.

### FIELD OF THE INVENTION

Portable liquid pumps for transfer of water or other liquids in temporary circumstances.

### BACKGROUND OF THE INVENTION

Centrifugal pumps are widely used in a variety of fluid transport applications. A rotating impeller is driven by an internal or external power source, drawing liquid into a pump chamber, and expelling liquid therefrom at increased pressure. In the most typical configuration, liquid flows into an axial inlet of the impeller, is forced by the impeller through a toroidal flow path formed by a volute surrounding the impeller, and is discharged from the volute and out of the pump.

Access to the interior of the volute and the impeller is occasionally needed, for inspection, repair, or to clear out debris trapped between the volute and impeller. The latter instance is somewhat common wherein the pump is used in a temporary application, such as e.g., emptying a water heater, draining a swimming pool cover, or irrigation. Such water is often somewhat dirty and may contain pieces of solid material such as grit, scale, small wood scraps, or construction debris. It is preferable that such a pump be easy to partially dismantle at the installed location, without disconnecting the pump from the piping, drive motor and/or wiring thereto, or removing the entire assembly to a remote location for service.

It is also preferable that such a pump be "self priming", in that there is often a need to install such a pump in a location that is above the level of the liquid to be pumped. Hence, one cannot rely upon gravity-driven flow to flood the inlet of the pump and thereby prime the pump. Self-priming capability is typically accomplished by providing fluid passageways in the pump that result in recirculation of a small amount of liquid through the volute of the pump, until the "prime", i.e. the complete filling of the volute with liquid phase, is accomplished or re-established. During this period of recirculation, air or any other gas present that is drawn into the pump inlet is caused to move through the volute and out through the discharge outlet of the pump.

In general, self priming centrifugal pumps incorporate a recirculation port in the volute that is too small to deliver to the impeller all of the water that it is capable of discharging. With the pump impeller being "starved" for adequate liquid, the air (or other gas present) is drawn from the suction opening of the pump by the impeller. The resultant mixture of froth (gas and water) is repeatedly discharged by the impeller and into the surrounding pump chamber. The froth in the pump chamber separates so that the majority of the gas is discharged from the outlet of the pump chamber. The liquid returning to the recirculation port by gravity therefore is relatively free of gas. This liquid is mixed, entrained, and/or otherwise dispersed with more gas flowing in through the pump inlet, and the resulting froth is discharged out through the volute whereupon it separates into liquid and gas. The pump effectively becomes an air pump temporarily, moving air in the pump inlet, and out the pump outlet, while repeatedly recirculating liquid contained in the pump chamber. This cycle continues until a continuous flow of liquid is established at the pump inlet, containing substantially no entrained gas.

# 2

During the period of time when "self priming," i.e. internal recirculation is occurring, there is a risk that heat buildup may occur within the pump volute and chamber. Of particular concern is the buildup of heat at the pump shaft seal, where a thin film of liquid provides lubrication between a rapidly rotating first surface, and a stationary second surface. Current self-priming centrifugal pumps in general do not provide prolonged wetting, cooling, and lubrication of the pump shaft seal, and failure thereof during a prolonged period of self priming is a problem.

Portable transfer pumps are also often exposed to a variety of adverse environmental conditions, such as heat, cold, and rain or snow. Such pumps are further subjected to generally rough handling, being repeatedly moved from job site to job site, often unprotected and exposed to the elements. Finally, since the use of such pumps is in applications that are not high precision, high "value added" tasks, it is necessary that such pumps be made inexpensively in order to sell at a relatively low price.

U.S. Pat. No. 6,471,476 of Diels et al., issued Oct. 29, 2002, discloses a centrifugal trash pump comprising a volute and an impeller that are disposed in a pump chamber accessible through an access opening in the front wall of the pump casing. The access opening is closed by a cover attachable to the front wall of the casing. The volute is attached to the cover by fasteners accessible from the outside of the cover so as to permit the cover and volute to be removed either as a unit or individually, with the cover being removed first, followed by the volute. The entire disclosure and figures of U.S. Pat. No. 6,471,476 is incorporated herein by reference.

The pump of Diels et al. does provide self-priming capability, and the ability to easily access the impeller and interior of the volute therein. However such pump comprises a rather complex multi-piece casing, volute, and cover assembly and combination of fasteners that is quite likely expensive to manufacture. The disclosure of Diels et al. is silent with regard to lubrication and cooling of the pump shaft seal during prolonged periods of self-priming.

There is therefore a need for a simple portable transfer pump that will reliably operate in self priming mode for a prolonged period, that has a simple, easily and inexpensively manufactured construction, that is resistant to adverse environmental conditions, and that is easy to service, maintain, and/or repair.

It is therefore an object of this invention to provide a portable transfer pump that can operate in self priming mode for prolonged time periods without damage to the pump shaft seal.

It is an object of this invention to provide a portable transfer pump that provides adequate cooling and lubrication to the pump shaft seal during regular and during self priming operation.

It is a further object of this invention to provide a portable transfer pump that provides superior cooling of the motor thereof during operation.

It is another object of this invention to provide a portable transfer pump that comprises a simple, one-piece housing that is of high strength and primarily of cast construction.

It is an object of this invention to provide a portable transfer pump that is aesthetically attractive and substantial in appearance.

It is a further object of this invention to provide a portable transfer pump with easy access to the impeller and volute thereof.

It is a further object of this invention to provide a portable transfer pump having an electrical switch incorporated therein, and a long power cord attached thereto.

3

It is a further object of this invention to provide a portable transfer pump with a housing having a pump cavity filling funnel incorporated therein.

It is a further object of this invention to provide a portable transfer pump with a plug engaged with a pump cavity filling funnel, and requiring no tools for removal of such plug from such filling funnel.

It is a further object of this invention to provide a portable transfer pump to which can be fitted common pipe and/or hose fittings.

It is a further object of this invention to provide a portable transfer pump comprising a large handle cast into the housing that renders the pump well balanced to assist in transportation thereof.

It is a further object of this invention to provide a portable transfer pump having a unitary multi-functional housing cover that serves to replace a large number of related parts needed in a typical pump.

It is a further object of this invention to provide a portable transfer pump wherein the critical components thereof are well protected from adverse elements and rough handling.

It is a further object of this invention to provide a portable transfer pump that is lightweight.

It is a further object of this invention to provide a portable transfer pump that is portable and is certified for outdoor use by various certifying and regulatory agencies and government entities.

It is a further object of this invention to provide a portable transfer pump having an integrally molded fastener in the impeller thereof.

#### SUMMARY OF THE INVENTION

In accordance with the present invention, there is provided a portable transfer pump comprising a unitary housing; a motor disposed within a first portion of said housing, said motor comprising a rotatable drive shaft; a pump cavity formed in a second portion of said housing, said cavity having an open end and an outlet port; a volute chamber having an open end, said volute chamber formed within said pump cavity; a rotatable impeller disposed within said volute chamber and operatively engaged with said rotatable drive shaft of said motor; and a cover attached to said open end of said pump cavity and engaged with said open end of said volute chamber to form a volute.

In accordance with the present invention, there is provided a portable transfer pump comprising a unitary housing; a motor disposed within a first substantially cylindrical portion of said housing; said first portion of said housing comprising an open end, a first air inlet opening and a first air outlet opening; a pump cavity formed in a second portion of said housing; and a cover attached to said open end of said first portion of said housing.

In accordance with the present invention, there is provided a portable transfer pump comprising a unitary housing; a motor disposed within a first substantially cylindrical portion of said housing; said first substantially cylindrical portion of said housing comprising an open end, and a first air outlet opening; a pump cavity formed in a second portion of said housing; and a cover attached to said open end of said first portion of said housing, said cover comprising an outer surface, an inner surface, and a first inlet opening.

#### BRIEF DESCRIPTION OF THE DRAWINGS

The invention will be described by reference to the following drawings, in which like numerals refer to like elements, and in which:

4

FIG. 1 is a perspective view of one embodiment of the transfer pump of the present invention;

FIG. 2 is a top view of the transfer pump of FIG. 1;

FIG. 3 is a side elevation view of the transfer pump of FIG. 1;

FIG. 4 is a side cross sectional view of the transfer pump of FIG. 1, taken along line 4-4 of FIG. 2;

FIG. 5 is a detailed cross sectional view of the pump cavity depicted in FIG. 4, indicating the general flow of liquid there-through during steady state pump operation;

FIG. 6 is a cross sectional view of the pump cavity of the pump housing during steady state pump operation, taken along line 6-6 of FIG. 3;

FIGS. 7A, 7B, and 7C are outside, side, and inside elevation views of the cover of the pump;

FIG. 8 is a perspective view of an exploded assembly of the pump of FIG. 1, depicting key components thereof;

FIG. 9 is an enlarged cross sectional view of the pump cavity depicted in FIG. 5, showing additional detail within the pump volute, as well as liquid flow that occurs during self-priming operation;

FIG. 10 is a detailed cross sectional view of the pump cavity depicted in FIG. 4, indicating liquid flow and level that occurs during self-priming operation;

FIG. 11 is a cross sectional view of the pump cavity of the pump housing during self-priming operation, taken along line 6-6 of FIG. 3;

FIG. 12 is a side cross sectional view of the pump motor and housing cavity taken along line 12-12 of FIG. 2;

FIG. 13 is an axial cross sectional view of the pump housing and cooling fan of the pump, taken along line 13-13 of FIG. 3;

FIG. 14 is a detailed side cross-sectional view of the rightward portion of FIG. 12, depicting the end of the pump that comprises a housing cover, and electrical controls, connections, and motor components;

FIG. 15 is an axial cross sectional view of the pump housing and outer end of the pump motor, taken along line 15-15 of FIG. 3;

FIG. 16 is an axial cross sectional view of the pump housing and central section of the pump motor, taken along line 16-16 of FIG. 3;

FIG. 17A is a perspective view of the outside of a preferred one-piece motor housing cover of the applicant's transfer pump;

FIG. 17B is a perspective view of the inside of the preferred one-piece motor housing cover of FIG. 17A;

FIG. 18 is a rear perspective view of the transfer pump of the present invention, depicting the motor housing cover of FIGS. 17A and 17B fitted thereto and

FIG. 19 is a top cross sectional view of the transfer pump of the present invention, taken along lines 19-19 of FIG. 2.

The present invention will be described in connection with a preferred embodiment, however, it will be understood that there is no intent to limit the invention to the embodiment described. On the contrary, the intent is to cover all alternatives, modifications, and equivalents as may be included within the spirit and scope of the invention as defined by the appended claims.

#### DESCRIPTION OF THE PREFERRED EMBODIMENTS

For a general understanding of the present invention, reference is made to the drawings. In the drawings, like reference numerals have been used throughout to designate identical elements.

5

FIG. 1 is a perspective view of one embodiment of the transfer pump of the present invention. Referring to FIGS. 1 through 4, transfer pump 100 comprises a one piece i.e. unitary housing 110, a cover 410, a filler cap 440, and an electrical cord assembly 449. Housing 110 comprises a first portion 120 that is generally cylindrical and that houses a motor, a second casing portion 150 within which is formed a pump cavity, and a handle 190 that extends from an upper edge 122 of the first portion 120 to an upper edge 152 of the second portion 150 of the housing 110.

In operation of pump 100, fluid is taken in through inlet 412 in cover 410, and is discharged through outlet port 154 in pump casing 150. For the convenience of users, pump 100 is preferably provided with inlet fitting 439 and outlet fitting 438, which are threaded and sealingly engaged with tapped threads (e.g. NPT pipe threads) in ports 412 and 154, respectively.

In the preferred embodiment, unitary housing 110 is formed of aluminum alloy and is made by a casting process. In other embodiments, housing 110 may be made of high strength polymers and/or polymer/fiber composites or other suitable materials that may be cast, molded, and/or machined.

FIG. 5 through FIG. 8 provide further details of the pumping of a fluid by pump 100 during steady state operation thereof, i.e. not self-priming mode. FIG. 5 is a detailed cross sectional view of the pump cavity depicted in FIG. 4, indicating the general flow of liquid therethrough during steady state pump operation. FIG. 6 is a cross sectional view of the pump cavity of the pump housing, taken along line 6-6 of FIG. 3. FIGS. 7A, 7B, and 7C are outside, side, and inside elevation views of the cover of the pump. FIG. 8 is a perspective view of an exploded assembly of the pump of FIG. 1, depicting key components thereof. For the sake of simplicity of illustration, the pump assembly depicted in FIG. 6 is shown without the pump impeller in place.

Referring first to FIGS. 5 and 7B, in steady state operation, fluid consisting of substantially all liquid phase (i.e. containing a negligible amount of gas bubbles) enters pump 100 through inlet port 412 in cover 410. Fluid follows a flow path 499 through a cavity 414 in cover 410, and exits cover 410 through cover outlet port 416 into pump volute 169 proximate to the central area, axis or eye of impeller 210. It is to be understood that as used herein, the term "flow path" is meant to indicate an average path in the general vicinity of the particular trajectory depicted in any given Figure. The term "flow path", and associated flow trajectories depicted in the Figures are not meant to be limited to the precise paths depicted in such Figures. It will be apparent that variations in such paths occur due to flow turbulence in 3D space, and other fluid flow effects. Any given flow path depicted in a Figure is meant to indicate an average or general result, indicating flow from one region to another region, as depicted by a curve ending with an arrowhead.

Referring again to FIG. 5, fluid is pumped by pump 100 along the flow path 199 within pump casing 150, and is discharged from outlet port 154 in pump casing 150. Referring to FIG. 6, flow path 199 within pump casing 150 is depicted in more detail. Fluid is first accelerated from axial flow into the eye of impeller 210 by the spinning action 299 (see FIG. 8) thereof, resulting in a generally cycloidal trajectory 198, wherein the fluid is discharged tangentially from impeller 210, and flows out from exit flare 162 of volute chamber 160 and volute 169 into main cavity 156 of pump casing 150. The fluid then flows generally along path 197 within main cavity 156, and then along path 196 within outlet passageway 145, whereupon the fluid is discharged at outlet 154.

6

Certain features are provided to make pump 100 highly efficient in the pumping of liquid, while also making pump 100 simple to service and maintain. Referring to FIG. 1, FIG. 7A, and FIG. 6, cover 410 is secured to pump casing 150 by screws 411, 413, 415, and 417, which are engaged with threaded holes 151, 153, 155, and 157 through holes 419, 421, 423, and 425 in cover 410. In one embodiment screws 411 et seq. are socket head cap screws, although numerous other common threaded fasteners, such as slotted, Phillips, hex head, Torx®, and the like would be suitable. Such screws are easily removed from pump 100 at its location of service, thereby enabling quick access to the main cavity 156, volute chamber 160, impeller 210, and other pump components within pump cavity 150. In a preferred embodiment, the pattern of threaded holes 151 et seq. is asymmetric, so that cover 410 can only be fastened to casing 150 in one orientation, thereby preventing any error in the reassembly of pump 100 after removing cover 410.

In order for pump 100 to run with high efficiency, certain dimensional relationships must be maintained between key parts thereof. Referring to FIGS. 7B and 7C, pump cover 410 is provided with a flat inner face 418, and a mounting flange 420 around the perimeter thereof. Flange 420 and face 418 define planes that are substantially parallel to each other.

Referring again to FIG. 8, certain features of a preferred impeller of the pump 100 can be seen. Preferred impeller 210 comprises a base flange 212 upon which are formed a plurality of vanes, e.g. vanes 214 and 216. Vanes 214 and 216 (and others if present) each comprise an outer face, e.g. faces 215 and 217, respectively. Faces 215 and 217 are formed with a precision flat surface that is substantially perpendicular to the axis of rotation of impeller 210, such rotation being indicated by arrow 299. With such a dimensional arrangement, the axial runout of faces 215 and 217 (and others if present) is minimized. Faces 215, 217, and others present are coplanar, such that faces 215, 217, etc. define a plane or overall vane face that is perpendicular to the axis of rotation of impeller 210. In general, it is preferable that impeller faces 215/217 have an axial runout of less than about 0.006 inch, and more preferably less than about 0.003 inch. Such minimal runout and coplanarity of faces 215, 217, etc. are important in providing a pump of high efficiency, as will be explained presently.

In one preferred embodiment, impeller 210 consists essentially of a polymer-glass fiber composite material, and in particular, of Lupox 5303, which is a glass fiber reinforced PBT Polybutylene Terephthalate, with the exception of mounting nut 314. Impeller 210 is preferably injection molded in one piece, and formed such that mounting nut 314 is encased therein. The tooling for manufacture of impeller 210 is preferably sufficiently precise so as to require no secondary material removal therefrom to achieve final dimensions, i.e. impeller 210 is made at net shape.

FIG. 9 is an enlarged cross sectional view of the pump cavity depicted in FIG. 5, showing additional detail within the pump volute. Referring to FIG. 9, cover 410 is shown fastened to casing 150, as would be the case when the pump is operating. Impeller 210 is operably joined to motor shaft 312 by nut 314. The motor (not shown) of pump 100 is mounted in housing 120 (see FIG. 1) with the central axis 399 of motor shaft 312 therein being precisely aligned such that the plane defined by impeller faces 215, 217, etc. is substantially parallel to face 418 of cover 410. The running clearance 498 between face 418 and faces 215/217 is preferably between about 0.01 and about 0.04 inch, and more preferably between about 0.01 and about 0.02 inch. Faces 215/217 having minimal runout as described above enable such small running clearances, and thereby enable high pump efficiency, since



very little liquid can pass through the running clearance, and thus substantially all of the liquid is accelerated by the vanes of the impeller.

An additional feature that enables high pump efficiency is the sealing contact that occurs between the inner face **418** of cover **410** and the open end **164** or face **164** of the volute chamber **160** to form overall volute **169**. Referring to FIG. 6, volute chamber **160** comprises a cycloidal open end or face **164**, with a beginning region **165**, a middle region **166**, and an end region **167**. Referring also to FIG. 9, volute flange face **164** is formed in pump casing **150** of housing **110** such that it defines a plane that is perpendicular to the central axis of motor shaft **312**. Thus volute face **164** is parallel to the planes of impeller blade faces **215/217**, cover inner face **418**, and cover flange **420**.

The cover flange **420** of cover **410** and the mating flange **158** (see FIG. 8) of pump casing **150** are dimensioned such that when cover flange **410** is fastened to pump casing **150**, the inner surface **418** of cover **410** is placed in sealing contact with volute face **164** thereby forming volute **169**, as indicated in FIG. 9. It can be seen that there is contact between beginning region **165**, a middle region **166**, and end region **167** of volute face **164** and inner surface **418** of cover **410**. In this manner, no liquid is permitted to leak into the main cavity from the volute **169**, and substantially all of the liquid is accelerated by the vanes of the impeller and discharged out exit flare **162** of volute **169**. Thus high pump efficiency is attained.

The features of the pump of the present invention that enable it to operate in a "self priming" mode, while providing adequate lubrication and cooling to the shaft seal thereof will now be described. In general, self-priming of the pump at startup, or self-priming when there is an interruption in liquid flow to the pump (such liquid being replaced by air or other gas), is accomplished by providing fluid passageways in the pump cavity and volute thereof that result in recirculation of a small amount of liquid through the volute of the pump, until the "prime", i.e. the complete filling of the volute with liquid phase, is accomplished or re-established. During this period of recirculation, gas that is drawn into the pump inlet is caused to move through the volute and out through the discharge outlet of the pump.

It is to be understood that as the pump of the present invention is used most commonly for the transfer of liquids wherein the gas phase that is present is air, in the following discussion the term "air" is used generically, and not as a limitation. In the event that a gas other than air was present, the following description would still apply.

The particular fluid passageways in the pump cavity and volute of the pump of the present invention, which result in recirculation of a small amount of liquid through the volute of the pump until the "prime" is complete, are provided in a unique configuration that causes a constant supply of liquid to bathe and wet the pump shaft seal, such that lubrication and cooling of the seal is provided, thereby preventing the failure thereof.

In the event that no liquid is present in the pump cavity, such pump cavity must first be provide with a small amount of liquid to provide the recirculating function that was described previously. The pump cavity of the present invention is provided with means to introduce such liquid therein. Referring again to FIG. 4, priming liquid introduction means **180** comprises an open port **181** for introduction of liquid (not shown) into main cavity **156** of pump casing **150**. Filling port **181** preferably comprises a frustoconical section **182**, a counter-bore **183**, and a threaded bore **184**. When liquid is being added manually into cavity **156**, i.e. by pouring from a container or

feeding from a hose, frustoconical section **182** acts as a funnel and provides ease of filling without spillage.

In one embodiment, pump **100** is further provided with filler plug **440**, which is formed to mate with the funnel shape of port **181**. Filler plug **440** comprises a body **441** having a conical taper **442** and a threaded shank **443**, which engages with threaded bore **184** of casing **150**. Plug **440** is preferably also provided with groove **444**, to which is fitted O-ring **445**, which sealingly fits in counterbore **183** when plug **440** is fitted in port **181**. In a further embodiment, plug **440** is made with a hollow cavity **446**, and is further provided with a snap fit cap **447** at the top thereof.

In other embodiments, priming liquid introduction means **180** may comprise a source of priming liquid operably connected to port **181**, such as e.g. a hose, a bottle threadedly engaged with threaded bore **184**. It will be apparent that the introduction of priming liquid through such priming liquid introduction means could be made to be supplied on an "as needed" basis.

At such time when self-priming is to occur, and there is a need to introduce priming liquid into cavity **156**, such priming liquid is introduced through port **181**. FIG. 10 is a detailed cross sectional view of the pump cavity depicted in FIG. 4, indicating liquid flow and level that occurs during self-priming operation. Referring to FIG. 10, when liquid is introduced into cavity **156** as indicated by arrow **195**, such liquid will fill cavity **156** to at least level **194**, which is the lower extremity of inlet port **412**. Such liquid also fills the interior of volute **169**, which is in communication with cavity **156** through at least one cross port **161** through the lower portion of the wall of volute chamber **160**, thereby flooding and submerging impeller **210**. Cross port **161** allows liquid flow from the lower portion **159** of pump casing **150** into the lower portion **163** of volute chamber **160**. However, cross port **161** is sufficiently small so as to have a negligible effect on pump efficiency during steady state pumping operation, i.e. negligible flow occurs from the lower portion **163** of volute chamber **160** into the lower portion **159** of pump casing **150** during steady state pumping.

With cavity **156** adequately flooded, the pump motor is started, beginning the self priming operation. FIG. 9 is an enlarged cross sectional view of the pump cavity depicted in FIG. 5, showing additional detail within the pump volute, as well as liquid flow that occurs during self-priming operation. FIG. 11 is a cross sectional view of the pump cavity of the pump housing during self-priming operation, taken along line 6-6 of FIG. 3. For the sake of simplicity of illustration, the pump assembly depicted in FIG. 11 is shown without the pump impeller **210** in place.

Referring to FIGS. 9 and 11, the initial spinning of impeller **210** ejects an initial surge of liquid out of outlet port **154**, with liquid level in cavity **156** falling from level **194** (see FIG. 10) to about level **193**, whereupon pump **100** achieves a period of pseudo-steady state operation during self-priming. During this period, the liquid level **193** in cavity **156** is maintained relatively constant. However, self priming of the pump occurs due to the recirculation of liquid from pump volute **169** to cavity **156**, and back into pump volute **169**, and so forth.

Liquid in the lower portion **159** of casing **150** flows through cross port **161** into the lower portion **163** of volute chamber **160** as indicated by path **298**. The spinning impeller **210** entrains some of this liquid, and mixes it with air also present within volute **169**, and ejects the two phase mix (also referred to herein as froth) out of volute exit flare **162**, as indicated by path **297**. The froth enters pump cavity **156** in separation region **149**, where it is effectively separated into liquid phase that returns by gravity to lower portion **159** of casing **150**, and

gas phase that exits pump casing **150** through exit port **154**. It will be apparent that during this pseudo-steady state operation, pump **100** effectively acts to pump air therethrough, wherein air flows into the pump cover via path **499** (see FIG. **5**), and exits out of outlet port **154**.

The presence of liquid in volute **169**, the kinetic energy imparted thereto by impeller **210**, and the creation of froth therefrom with a substantial gas phase component results in the movement of air through pump **100**. Pump **100** thus creates a vacuum that serves to draw in liquid from a source, filling a supply pipe (not shown) that is connected to inlet port **412**. The self-priming operation occurs until the supply pipe is completely filled, and the pump becomes re-flooded or primed with liquid, at which point steady state pumping operation resumes. In the preferred embodiment, pump **100** is capable of generating at least about 15 feet of water suction head to achieve self priming.

The internal configuration of the separation region **149** of pump cavity **156** provides effective separation of the froth into liquid phase that returns to lower portion **159** of casing **150**, and gas phase that exits casing **150** through port **154**. Without wishing to be bound to any particular theory, and referring to FIG. **11**, applicant believes that a denser portion of the froth quickly separates into liquid and gas, and some of such liquid returns to lower portion **159** as indicated by path **296**. Applicant further believes that a less dense portion of the froth is redirected generally upwardly as indicated by path **295**, whereupon it impinges upon baffle **148** and achieves further separation into liquid and gas phase. Such liquid phase may flow down the walls of cavity **156** as indicated by path **294**, or such phase may fall through cavity **156** around or onto volute chamber **160**, as indicated by path **293**, both paths **294** and **293** being downwardly towards lower portion **159** of casing **150**. The separated gas phase exits cavity **156** as indicated by path **292**, and then exits pump **100** from port **154**. Applicant further believes that the level of the liquid phase in pump cavity **156** during self priming may be as high as is indicated by level **193**, but such level may be lower depending upon the particular operating conditions and liquid being pumped. Applicant further believes that the level of the liquid in volute **169** resulting from flow through port **161** is approximately at level **189** of FIG. **9**.

The configuration of applicant's pump casing further provides superior lubrication and cooling of the pump shaft seal during self priming operation. Referring again to FIG. **11**, volute chamber **160** is an integral part or pump casing **150**. Volute chamber **160** is joined to the inner wall **140** of pump casing by an annular extension **141** therefrom. (See also FIG. **11**.) Annular extension **141** comprises a first counterbore **142** at the inner end thereof, in which is housed motor shaft bearing **316**. Annular extension **141** further comprises a second counterbore **143** at the outer end thereof, in which is fitted the static portion **321** of pump seal **320**.

Static seal portion **321** is preferably held in counterbore **143** by an interference fit, and is hence immobilized therein. Pump seal **320** further comprises dynamic portion **322**, which is joined to motor shaft **314**, preferably by an interference fit thereto. Hence dynamic portion **322** of pump seal **320** rotates with shaft **314** during pump operation, and there is a ring-shaped region **144** of sliding contact between the rotating surface of dynamic portion **322** of pump seal **320**, and the stationary surface of static portion **321** of seal **320**. Such a liquid seal configuration is well known in the sealing art.

Referring again to FIG. **11**, and in the preferred embodiment, the structure of volute chamber **160** is made stronger by the provision of a web **147** of material near the bottom portion of volute chamber **160**, which further rigidly joins volute

chamber **160** thereto, and by the provision of a web **146** of material, which further rigidly joins volute chamber **160** to wall **140** of casing **150**.

It is important that pump seal **320** be provided with liquid at all times during pump operation, in order to prevent seal failure. Such liquid provides lubrication and cooling to the mating surfaces of dynamic portion **322** of pump seal **320**, and static portion **321** of seal **320**, thereby reducing the friction and heat buildup therebetween. Referring again to FIG. **9**, during steady state operation of pump **100**, such provision of liquid occurs because port **161** allows liquid to flow from pump cavity **156** into volute **169**, but at a restricted rate. Leakage through an annular gap **291** between motor shaft **312** and exclusionary plate **170** also occurs at a restricted rate, resulting in liquid level **193** in pump cavity being maintained higher than pump seal **320**.

Referring also to FIG. **8**, exclusionary plate **170** is joined to a flat circular surface or flange **168** of the inner wall of volute chamber **160** by screws **171** and **172**. Exclusionary plate serves to only allow a slow leakage of liquid through annular gap **291**, so that during steady state operation, pump seal **320** is flooded, but impeller **210** is not in substantial communication with the liquid proximate to seal **320**, and is thus not wasting energy mixing or moving such liquid. This arrangement renders pump **100** more efficient.

During self-priming operation, features of the applicant's pump ensure that seal **320** is provided with lubricating and cooling liquid. Referring again to FIGS. **9** and **11**, during self-priming, a portion of the liquid phase separated from the froth discharged from volute **169** falls downwardly along path **290**, between the upper rear wall **179** of volute chamber **160** and wall **140** of casing **150**. Annular region **141** of casing **150** is further provided with an upper passageway **174** into seal flood region **175** and a lower passageway **176** out of seal flood region **175**. Thus during self priming operation, liquid falling along path **290** flows around web **146**, and further flows along path **289** through upper passageway **174**. Such liquid flowing along path **289** directly impinges upon and floods seal **320**, thereby providing lubrication and cooling during self priming. Applicant believes that the location and, in a preferred embodiment, the cylindrical shape of web **146** further serves to coalesce liquid thereupon, and then direct such falling liquid into upper passageway **174**.

In a preferred embodiment, the applicant's transfer pump comprises a unitary housing having numerous beneficial features that provide superior strength, portability, cooling of components therein, and protection of components therein from adverse elements such as e.g. rain, or other splashed water. FIGS. **12-16** are provided in order to fully depict the beneficial features of the preferred pump housing. FIG. **12** is a side cross sectional view of the pump motor and housing cavity taken along line **12-12** of FIG. **2**; FIG. **13** is an axial cross sectional view of the pump housing and cooling fan of the pump, taken along line **13-13** of FIG. **3**; FIG. **14** is a detailed side cross-sectional view of the rightward portion of FIG. **12**, depicting the end of the pump that comprises a housing cover, and electrical controls, connections, and motor components; FIG. **15** is an axial cross sectional view of the pump housing and outer end of the pump motor, taken along line **15-15** of FIG. **3**; FIG. **16** is an axial cross sectional view of the pump housing and central section of the pump motor, taken along line **16-16** of FIG. **3**; FIG. **17A** is a perspective view of the outside of a preferred one-piece motor housing cover of the applicant's transfer pump; FIG. **17B** is a perspective view of the inside of the preferred one-piece motor housing cover of FIG. **17A**; FIG. **18** is a rear perspective view of the transfer pump of the present invention, depict-

ing the motor housing cover of FIGS. 17A and 17B fitted thereto; and FIG. 19 is a top cross sectional view of the transfer pump of the present invention, taken along lines 19-19 of FIG. 2.

Referring first to FIG. 12, housing 110 comprises a first portion 120 that is generally cylindrical and that houses a motor 310, a second casing portion 150 within which is formed a pump cavity, and a handle 190. Second casing portion 150 and handle 190 of housing 110 have been described in detail previously in this specification. The following description will be directed mainly to the structures of housing first portion 120, motor housing cover 450, and the components therein that provide the aforementioned beneficial features.

One beneficial feature of the applicant's pump 100 is cooling capability provided to the motor 310 and electrical components therein. Housing portion 120 and housing cover 450 are provided with passageways that individually and in combination allow airflow proximate to motor 310 and electrical components connected thereto. Referring again to FIG. 12, electric motor 310 is preferably provided with a fan 330 operatively attached to motor shaft 312 (see FIG. 9), in order to provide pumping of cooling air through housing portion 120. General airflow pathways through housing portion 120 are depicted in FIG. 12. Air enters through rear cover 450 along pathway 398, and through bottom slots 124/125 in the wall 123 of housing portion 120. Air flows axially along path 396 through passageways to be described subsequently, is accelerated by fan 300, and discharged radially out of housing through path 395 out of a bottom slot 126, left slots 127, and right slots 128 in housing portion 120. (See also FIGS. 13 and 18.)

In the preferred embodiment, fan 330 is a fan having vanes optimally formed to efficiently draw air along the axis thereof and direct it radially. FIG. 13 is an axial cross sectional view of pump that depicts housing section 120 and cooling fan 330 disposed therein. Referring to FIG. 13 and to FIG. 19, it can be seen that at this axial location along housing portion 120, housing wall 123 is formed into an overall volute cavity 121 within which is disposed fan 330. Volute cavity 121 preferably has a double volute shape for the effective discharge of air from within housing portion 120 by fan 330. Housing portion 120 comprises an upper volute 130 and a lower volute 131.

In operation, fan 330 accelerates air from the axial region thereof radially outwardly, discharging air generally along path 192 out of right slots 128, and along path 191 out of left slots 127. To a small extent, air is also discharged out of bottom slot or hole 126. However, bottom slot 126 is primarily intended as a drain hole, providing rapid drainage from housing portion 120 in the event that any water has somehow entered housing portion 120. To this end, housing portion 120 is further provided with a circumferential ridge 129 (see FIG. 12) formed on the inside of housing wall 123 proximate to volute cavity 121 in order to capture and direct any accumulated water out of slot 126. The overall double volute housing shape and drainage slot provides efficient discharge airflow while also reducing the likelihood of any water entering the housing, and facilitating the discharge of such water if it does enter the housing.

FIG. 14 is a detailed side cross-sectional view of the rightward portion of FIG. 12, depicting the end of the pump that comprises a housing cover, and electrical controls, connections, and motor components; FIG. 15 is an axial cross sectional view of this region of pump housing section 120, motor 310, and cover 450, taken along line 15-15 of FIG. 14. Referring to FIGS. 14 and 15, and also to FIGS. 17A, 17B, and 18,

which depict motor housing cover 450 separately and in the installed state, cooling air enters housing portion 120 through slots 124 and 125 along path 397, and through left opening 452 and a right opening 453 in cover 450 along path 398.

Path 398 is a labyrinth-shaped path, preferably formed by the combination of left and right horizontal baffles or ribs 454 and 455 formed in cover 450, and cover plates 460 and 461, which are secured to cover 450 with screws 462 and 463 engaged with holes 456 and 457. A preferred shape of cover plates 460 and 461 is depicted in FIG. 14, wherein cover plate 460 is formed to engage with left opening 452. Cover plate 460 further comprises a lower lip 465 that is bent inwardly, thereby forming labyrinth-shaped path 398 with rib 454 in cover 450, which is effective in permitting air flow there-through, while preventing the entry or entrainment of any splashed water on cover 450. In the preferred embodiment, cover plates 460 and 461 are formed from stampings of thin stainless steel.

Referring again to FIGS. 14, 15, and 17B, lower pathway 397 is also a labyrinth-shaped path, formed by the combination of a large arcuate rib 458 formed in cover 450, and the wall 123 of housing portion 120 proximate thereto. Rib 458 and housing wall 123 are thus also effective in permitting air flow along path 397, while preventing the entry or entrainment of any splashed water on housing 110. The cooling air that enters housing portion 120 through paths 398 and 397 flows over armature 340 and windings 352 of stator 350 of motor 310, thereby cooling these components.

The air entering along paths 397 and 398 continues to flow axially along motor 310, as can be seen in FIG. 16. Air flows within motor 310 through axial passageways 342 and 342 formed between armature 340 and stator 350. Air also flows axially along several passageways formed between housing wall 123 and stator 350. Upper and lower passageways 344 and 345 are formed between flats on stator 350 and the curved inner surface of housing wall 123. Right and left passageways 346 and 347 are formed by the provision of upper arcuate rib 132 and lower arcuate rib 133 in housing wall 123.

The preferred structure of ribs 132 and 133 is best viewed in conjunction with FIGS. 13 and 14. Referring to FIGS. 13, 14, arcuate ribs 132 and 133 are disposed in the central region of housing portion 120. Upper arcuate rib 132 preferably extends from about the 10 o'clock position to about the 2 o'clock position on the inside of housing wall 123, and lower arcuate rib 133 preferably extends from about the 8 o'clock position to about the 4 o'clock position on the inside of housing wall 123. Thus left passageway 346 is formed between the 8 o'clock edge of lower rib 133 and the 10 o'clock edge of upper rib 132, and right passageway 347 is formed between the 4 o'clock edge of lower rib 133 and the 2 o'clock edge of upper rib 132. The provision of such arcuate upper and lower ribs and the passageways therebetween thus enable axial airflow along and around nearly the entire outer surface of stator 350, while still providing housing portion 120 with superior structural strength.

In an alternative embodiment, housing wall may be provided with a single arcuate rib extending nearly completely around the interior of wall 123, with a single passageway formed between the ends thereof. However, for more uniform airflow, at least two arcuate ribs and at least two passageways therebetween are preferred as depicted in FIG. 16.

Referring again to FIG. 14 and in the preferred embodiment depicted therein, upper rib 132 and lower rib 133 are preferably provided with bevels 134 and 135. These bevels facilitate installation of the stator 350 into the housing portion 120, guiding and centering stator 350 in housing portion 120 as it is slid into position therein. The inner surfaces of upper

and lower ribs **132** and **133** are also preferably nearly in touching contact with stator **350** when stator **350** is installed in housing portion **120** as depicted in FIG. **14**, so that such inner surfaces can provide support to stator **350** in the event that pump **100** is dropped or otherwise jolted during operation.

In the preferred embodiment of the applicant's transfer pump, housing portion **120** is made with additional features to provide additional structural strength thereof. Referring to FIGS. **16**, and **18**, housing portion **120** of pump **100** is provided with axial ribs **116**, **117**, **118**, and **119** formed in the wall **123** thereof. Axial ribs **116**, **117**, **118**, and **119** are preferably spaced at 90 degree intervals around the circumference of housing portion **120**. Housing portion **120** may further comprise rubber feet (not shown) fitted within holes (not shown) on the lowermost surfaces of housing **120**. In a further embodiment (not shown) housing **110** comprises a weep hole formed in annular extension **141**, beneath the bearing race holding bearing **142**. (See FIG. **9**.)

In the preferred embodiment of the applicant's transfer pump, housing cover **450** is also made with numerous additional features to provide additional structural strength, resistance to adverse elements, and ease of assembly. Referring to FIGS. **14**, **17A**, **17B**, **18** and **19**, cover **450** is provided with hole **470** for the fitting and sealing of switch **370**; hole **472** for the fitting and sealing of cord assembly **449**; holes **474** for the passage of screws **473** therethrough and the engagement of cover **450** to housing **110**; and hole **476** for the fitting of shaft cap **477**. Shaft cap **477** is fitted to hole **476** with a light interference fit, and is easily removed therefrom for access to the outboard end of motor shaft **312** (see FIG. **9**). In the preferred embodiment, the outboard end of motor shaft **312** is provided with a slot **355** or alternatively a hex socket for engagement with a screwdriver or hex key. Thus the shaft **312** of pump **100** may be externally driven by hand or by a power tool in the event that such action is needed for troubleshooting where the pump **100** is in use.

Referring again to FIGS. **17A**, **17B** and **19**, cover **450** preferably comprises protective upper rib **478** and protective lower rib **479**, for protection of switch **370** installed in hole **470**. Cover **450** further comprises left ear **480** and right ear **481** having right threaded bore **482** and left threaded bore (not shown). Cover **450** further comprises rectangular slots **484** and **485** for housing the motor brushes (not shown) and gusseted extensions **486** and **487**, in which are provided holes **488** and **489**. Stator **350** of motor **310** is fastened to cover **450** by engagement of threaded fasteners **495** and **496** (FIG. **19**) with holes **488** and **489**. Referring to FIG. **18**, caps **490** are engaged in left threaded bore **482** and right bore (not shown) to seal and hold the motor brushes **361** and **362** therein. In a further embodiment, rectangular slots **484** and **485** could be formed with semicircular ends, i.e. a combination of semi-circle-rectangle-semicircle to accommodate motor brushes with a corresponding shape; or slots **484** and **485** could be made of another shape as required to match another particular brush shape.

Referring again to FIG. **17B**, cover **450** preferably further comprises a flat flange **491** for engagement with housing **110**, and a raised rib **492** proximate thereto for added structural strength. Cover **450** may further comprise an L-shaped bracket or shelf **493** for support and isolation of wiring attached to switch **370** from the nearby motor windings and to shield the wiring terminals of switch **370** from carbon dust resulting from motor brush wear. Cover **450** further comprises a bearing race **494**, for housing the outboard bearing **363** of electric motor **310** and four small nubs that act to center the field of motor **310**.

Cover **450** may be formed from any suitable structurally strong and electrically insulating material, with it being preferred that such material is also heat resistant, flame resistant, light in weight and formable by casting or molding to net shape. In one preferred embodiment, cover **450** consists essentially of a polymer-glass fiber composite material, and in particular, of Lupox 5303, which is a glass fiber reinforced PBT Polybutylene Terephthalate,

Referring to FIG. **14**, the inner surface of wall **123** of housing portion **120** is provided with a taper **137**. Features formed on the inner surface of cover **450**, such as arcuate rib **458** are also provided with a corresponding taper **437** of substantially the same pitch as taper **137** of housing portion **120**. In one embodiment, the pitch of the taper is approximately 3 degrees of angle with respect to the central axis of motor **310** and housing portion **120**. It can be seen from FIGS. **12**, **14**, **18**, and **19** that cover **450** and the features thereof are well protected from impact in the event that pump **100** is dropped or roughly handled. Screws **473** provide additional protection to cover **450**, transferring impact at the rear of the pump into housing portion **120**.

Thus the cover **450** and the housing **110** of the applicant's pump, with the many features recited in the foregoing description, provides structural strength, resistance to adverse elements, electrical connectivity, and ease of assembly in the combination of simple one-piece parts.

It is, therefore, apparent that there has been provided, in accordance with the present invention, a portable self-priming transfer pump comprising a one piece unitary housing, comprised of a first portion that houses a motor, a second casing portion within which is formed a pump cavity, and a handle; and a one piece cover fitted to the outboard end of the second portion of the housing. While this invention has been described in conjunction with preferred embodiments thereof, it is evident that many alternatives, modifications, and variations will be apparent to those skilled in the art. Accordingly, it is intended to embrace all such alternatives, modifications and variations that fall within the spirit and broad scope of the appended claims.

I claim:

1. A liquid transfer pump comprising:

- a. a housing formed of a single unitary part;
- b. a motor disposed within a first portion of said housing, said motor including a rotatable drive shaft;
- c. a pump cavity formed in a second portion of said housing, said cavity having an open end and an outlet port;
- d. a volute chamber having an open end, said volute chamber formed within said pump cavity;
- e. a rotatable impeller disposed within said volute chamber and operatively engaged with said rotatable drive shaft of said motor;
- f. a cover attached to said open end of said pump cavity and engaged with said open end of said volute chamber to form a volute; and
- g. an annular region formed in said housing within said pump cavity, said annular region comprising a counter-bore within which is disposed a seal, said annular region enclosing a seal flood region, and said annular region including an upper passageway between said pump cavity and said seal flood region and a lower passageway between said pump cavity and said seal flood region, both of said upper passageway and said lower passageway being formed as a part of said housing.

2. The liquid transfer pump as recited in claim 1, further comprising an exclusionary plate disposed between said

15

volute chamber and said annular region, said rotatable drive shaft of said motor extending through a hole formed in said exclusionary plate.

3. The liquid transfer pump as recited in claim 1, wherein said volute comprises an exit flare.

4. The liquid transfer pump as recited in claim 3, wherein said pump cavity further comprises a baffle disposed above said exit flare of said volute.

5. The liquid transfer pump as recited in claim 1, wherein said cover comprises an inlet port, a cavity, and an outlet port proximate to said impeller.

6. The liquid transfer pump as recited in claim 5, wherein said cover further comprises an inner face, said impeller further comprises a vane face, and said inner face of said cover and said vane face of said impeller are substantially parallel to each other.

7. The liquid transfer pump as recited in claim 1, wherein said second portion of said housing further comprises a filling port comprising a threaded bore.

8. The liquid transfer pump as recited in claim 7, wherein said filling port further comprises a funnel shape disposed above said threaded bore.

9. The liquid transfer pump as recited in claim 8, further comprising a threaded plug engaged with said threaded bore.

10. The liquid transfer pump as recited in claim 9, wherein said plug further comprises a seal engaged with said filling port.

11. The liquid transfer pump as recited in claim 1, wherein said unitary housing further comprises a handle.

12. The liquid transfer pump as recited in claim 1, wherein said housing is formed of aluminum alloy.

13. The liquid transfer pump as recited in claim 1, further comprising:

a. said motor disposed within a first substantially cylindrical portion of said housing; said first portion of said housing comprising an open end, a first air inlet opening and a first air outlet opening;

b. said pump cavity formed in a second portion of said housing; and

c. said cover attached to said open end of said first portion of said housing.

14. The liquid transfer pump as recited in claim 13, wherein said motor further comprises a fan operatively engaged to said rotatable drive shaft.

15. The liquid transfer pump as recited in claim 14, wherein said substantially cylindrical portion of said housing comprises a volute cavity.

16. The liquid transfer pump as recited in claim 15, wherein said volute cavity comprises a first volute and a second volute.

17. The liquid transfer pump as recited in claim 16, wherein said substantially cylindrical portion of said housing comprises a first opening proximate to said first volute and a second opening proximate to said second volute.

18. The liquid transfer pump as recited in claim 17, further comprising a drain hole in the bottom of said volute cavity.

19. The liquid transfer pump as recited in claim 18, further comprising a circumferential ridge proximate to said volute cavity.

20. The liquid transfer pump as recited in claim 13, wherein said cover is unitary.

21. The liquid transfer pump as recited in claim 20, wherein said cover further comprises an inlet opening.

22. The liquid transfer pump as recited in claim 13, wherein said first substantially cylindrical portion of said housing comprises at least one axial rib.

23. The liquid transfer pump as recited in claim 13, wherein said first substantially cylindrical portion of said housing

16

comprises at least one arcuate rib having an end forming a portion of a passageway thereby.

24. The liquid transfer pump as recited in claim 13, wherein said unitary housing further comprises a handle.

25. The liquid transfer pump as recited in claim 13, wherein said housing is formed of aluminum alloy.

26. The liquid transfer pump as recited in claim 1, further comprising:

a. said motor disposed within a first substantially cylindrical portion of said housing; said first substantially cylindrical portion of said housing comprising an open end, and a first air outlet opening;

b. said pump cavity formed in a second portion of said housing; and

c. said cover attached to said open end of said first portion of said housing, said cover comprising an outer surface, an inner surface, and a first inlet opening.

27. The liquid transfer pump as recited in claim 26, wherein said motor further comprises a fan operatively engaged to said rotatable drive shaft.

28. The liquid transfer pump as recited in claim 27, wherein said cover further comprises a first cover plate covering a portion of said first inlet opening.

29. The liquid transfer pump as recited in claim 28, wherein said first inlet opening further comprises a first baffle.

30. The liquid transfer pump as recited in claim 29, wherein said cover further comprises a second cover plate covering a portion of a second inlet opening, said second inlet opening comprising a second baffle.

31. The liquid transfer pump as recited in claim 26, wherein said cover further comprises a first ear with a first port and a second ear with a second port.

32. The liquid transfer pump as recited in claim 31, wherein said first port of said first ear comprises a first threaded bore and said second port of said second ear comprises a second threaded bore.

33. The liquid transfer pump as recited in claim 32, further comprising a first motor brush disposed in said first port in said first ear, and a second motor brush disposed in said second port in said second ear.

34. The liquid transfer pump as recited in claim 33, further comprising a first threaded cap disposed in said first port in said first ear, and a second threaded cap disposed in said second port in said second ear.

35. The liquid transfer pump as recited in claim 26, wherein said cover consists essentially of plastic.

36. The liquid transfer pump as recited in claim 26, wherein said cover further comprises a shaft opening.

37. The liquid transfer pump as recited in claim 26, wherein said cover further comprises a switch opening, and said pump further comprises a switch disposed in said switch opening.

38. The liquid transfer pump as recited in claim 26, wherein said cover further comprises a cord opening, and said pump further comprises a cord assembly disposed in said cord opening.

39. The liquid transfer pump as recited in claim 26, wherein said inner surface of said cover further comprises an arcuate rib.

40. The liquid transfer pump as recited in claim 26, wherein said inner surface of said cover further comprises a reinforcement rib.

41. The liquid transfer pump as recited in claim 26, wherein said cover further comprises a flange with at least one hole therethrough.

42. The liquid transfer pump as recited in claim 26, wherein said cover further comprises a bearing race formed therein.

17

43. The liquid transfer pump as recited in claim 26, wherein said inner surface cover of said cover further comprises a first fastener hole and a second fastener hole.

44. The liquid transfer pump as recited in claim 26, wherein said open end of said first substantially cylindrical portion of said housing cover further comprises a first taper, and wherein said cover further comprises a second taper engaged with said first taper of said open end of said first substantially cylindrical portion of said housing.

45. A liquid transfer pump comprising:

- a. a housing formed of a single unitary part;
- b. a motor disposed within a first portion of said housing, said motor including a rotatable drive shaft;
- c. a pump cavity formed in a second portion of said housing, said cavity having an open end and an outlet port;
- d. a volute chamber having an open end, said volute chamber formed within said pump cavity and comprising a wall formed as a part of said housing, wherein a cross port is formed through said wall;
- e. a rotatable impeller disposed within said volute chamber and operatively engaged with said rotatable drive shaft of said motor;
- f. a cover attached to said open end of said pump cavity and engaged with said open end of said volute chamber to form a volute;
- g. an exclusionary plate disposed within said volute chamber, said rotatable drive shaft of said motor extending through a hole formed in said exclusionary plate; and
- h. an annular region formed in said housing within said pump cavity, said annular region comprising a counter-bore within which is disposed a seal, said annular region enclosing a seal flood region, and said annular region including an upper passageway between said pump cavity and said seal flood region and a lower passageway between said pump cavity and said seal flood region, both of said upper passageway and said lower passageway being formed as a part of said housing.

18

46. A liquid transfer pump comprising:

- a. a housing;
- b. a motor disposed within a first portion of said housing, said motor including a rotatable drive shaft;
- c. a pump cavity formed in a second portion of said housing, said cavity having an open end and an outlet port;
- d. a volute chamber having an open end, said volute chamber formed within said pump cavity;
- e. an annular region formed in said housing within said pump cavity, said annular region comprising a counter-bore within which is disposed a seal, said annular region enclosing a seal flood region, and said annular region including an upper passageway between said pump cavity and said seal flood region and a lower passageway between said pump cavity and said seal flood region, both of said upper passageway and said lower passageway being formed as a part of said housing;
- f. a rotatable impeller disposed within said volute chamber and operatively engaged with said rotatable drive shaft of said motor; and
- g. a cover attached to said open end of said pump cavity and engaged with said open end of said volute chamber to form a volute.

47. The liquid transfer pump as recited in claim 46, further comprising an exclusionary plate disposed within said volute chamber and separating said volute chamber from said annular region within said housing, said rotatable drive shaft of said motor extending through a hole formed in said exclusionary plate, thereby forming an annular gap between said shaft and said hole, said annular gap providing fluid communication between said volute chamber and said annular region within said housing.

48. The liquid transfer pump as recited in claim 46, wherein said volute chamber comprises a wall formed as a part of said housing, and wherein a cross port is formed through said wall of said volute chamber.

\* \* \* \* \*