



US00D523517S

(12) **United States Design Patent** (10) **Patent No.:** **US D523,517 S**
Flick (45) **Date of Patent:** **** Jun. 20, 2006**

(54) **SUMP ENCLOSURE**

(74) *Attorney, Agent, or Firm*—Patent Innovations LLC;
John M. Hammond

(75) **Inventor:** **Damon M. Flick**, Dansville, NY (US)

(73) **Assignee:** **Liberty Pumps**, Berben, NY (US)

(**) **Term:** **14 Years**

(57) **CLAIM**

The ornamental design for a “sump enclosure,” as shown and described.

(21) **Appl. No.:** **29/222,574**

DESCRIPTION

(22) **Filed:** **Jan. 31, 2005**

(51) **LOC (8) Cl.** **23-01**

(52) **U.S. Cl.** **D23/202**

(58) **Field of Classification Search** D23/202–205;
137/363; 220/561, 565, 587, 532.2

See application file for complete search history.

FIG. 1 is a perspective view of the top, front and right side of the sump enclosure;

FIG. 2 is a front elevation view of the sump enclosure;

FIG. 3 is a right side elevation view of the sump enclosure;

FIG. 4 is a rear elevation view of the sump enclosure;

FIG. 5 is a left side elevation view of the sump enclosure;

FIG. 6 is a top plan view of the sump enclosure; and,

FIG. 7 is a view looking upwardly at the sump enclosure from below.

(56) **References Cited**

U.S. PATENT DOCUMENTS

D207,294 S *	3/1967	Ferm	D23/203
D237,179 S *	10/1975	Laswell	D23/203
D347,257 S *	5/1994	McGrew, Jr.	D23/202
D356,851 S *	3/1995	Holmstadt et al.	D23/202
6,649,060 B1 *	11/2003	Perry	210/532.2

OTHER PUBLICATIONS

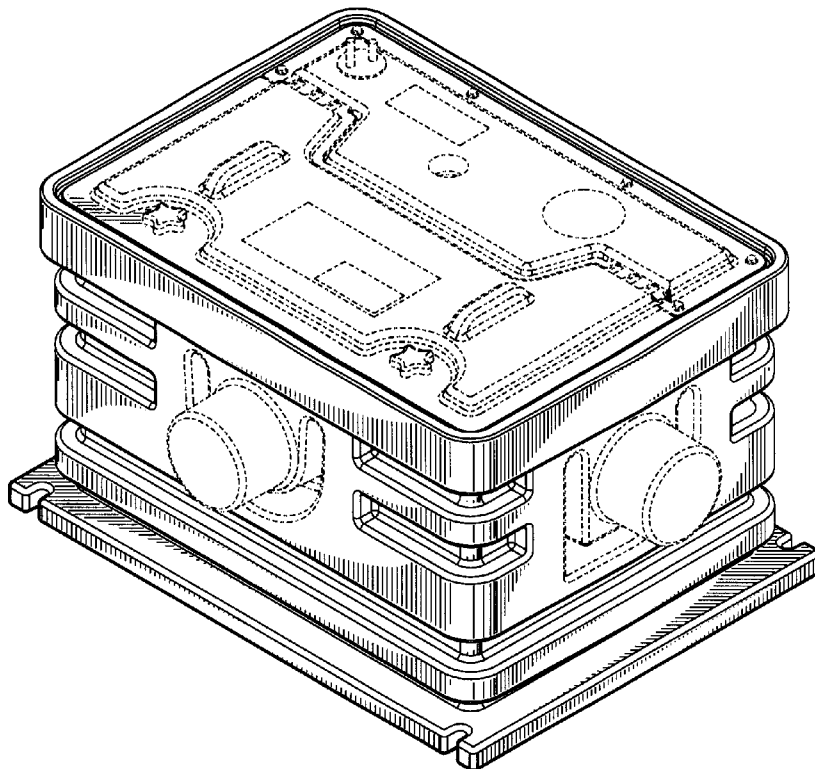
U.S. Appl. No. 10/963,191, Flick, Damon M.

* cited by examiner

Primary Examiner—Robin Webster

The broken-lines of FIGS. 1 through 7 depict cavities formed into surfaces, features raised above surfaces, areas where lettering or numbering may be formed in surfaces, and details in a cover of the enclosure. These broken line features are depicted for illustrative purposes only, and form no part of the claimed design.

1 Claim, 7 Drawing Sheets



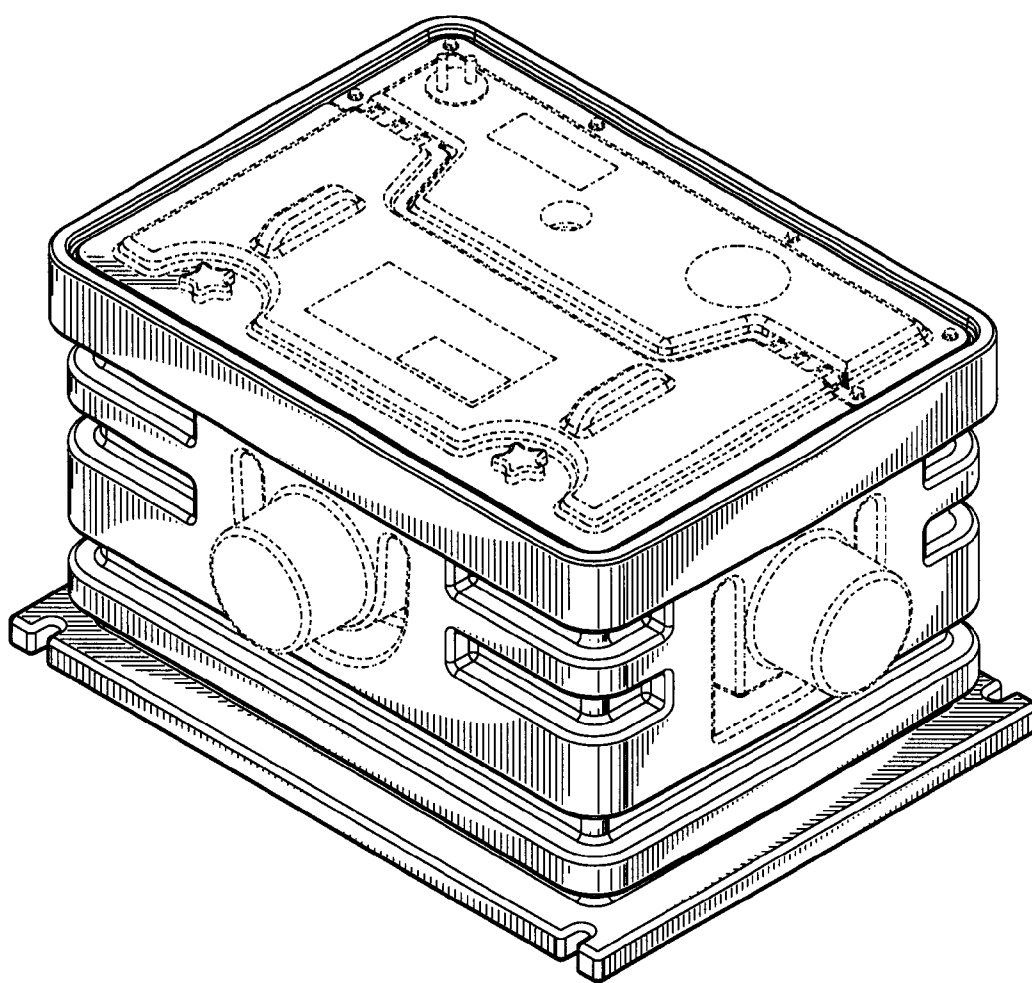


FIG. 1

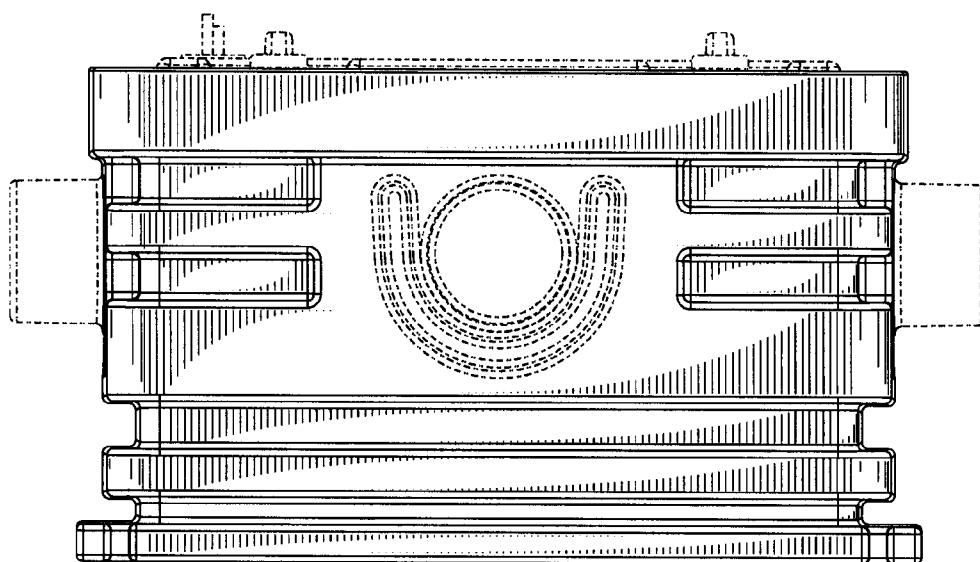


FIG. 2

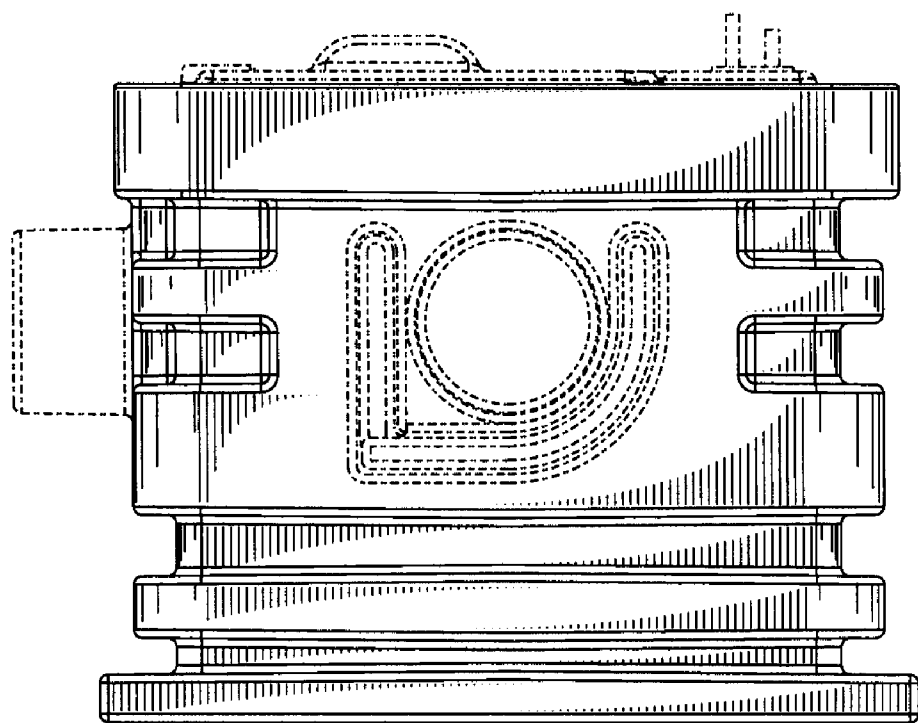


FIG. 3

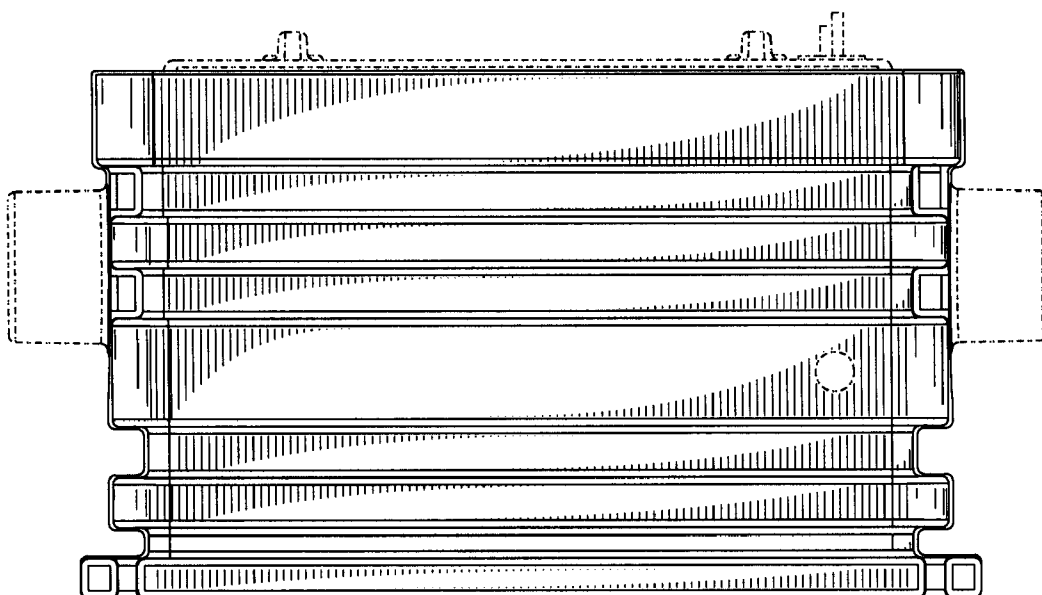


FIG. 4

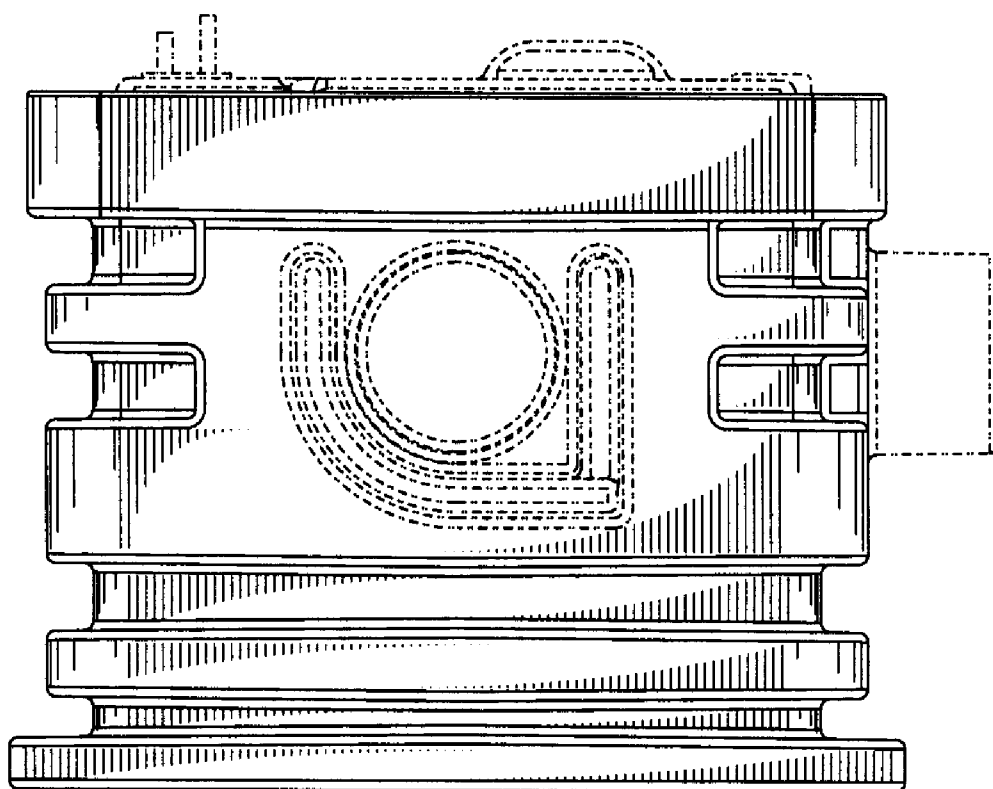


FIG. 5

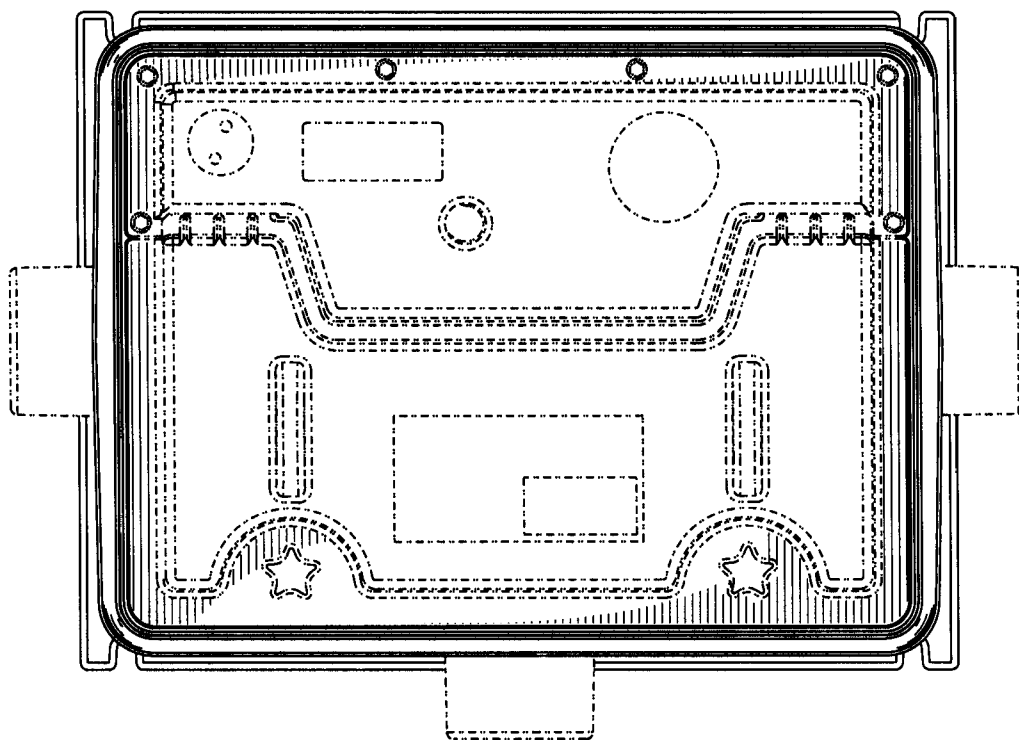


FIG. 6

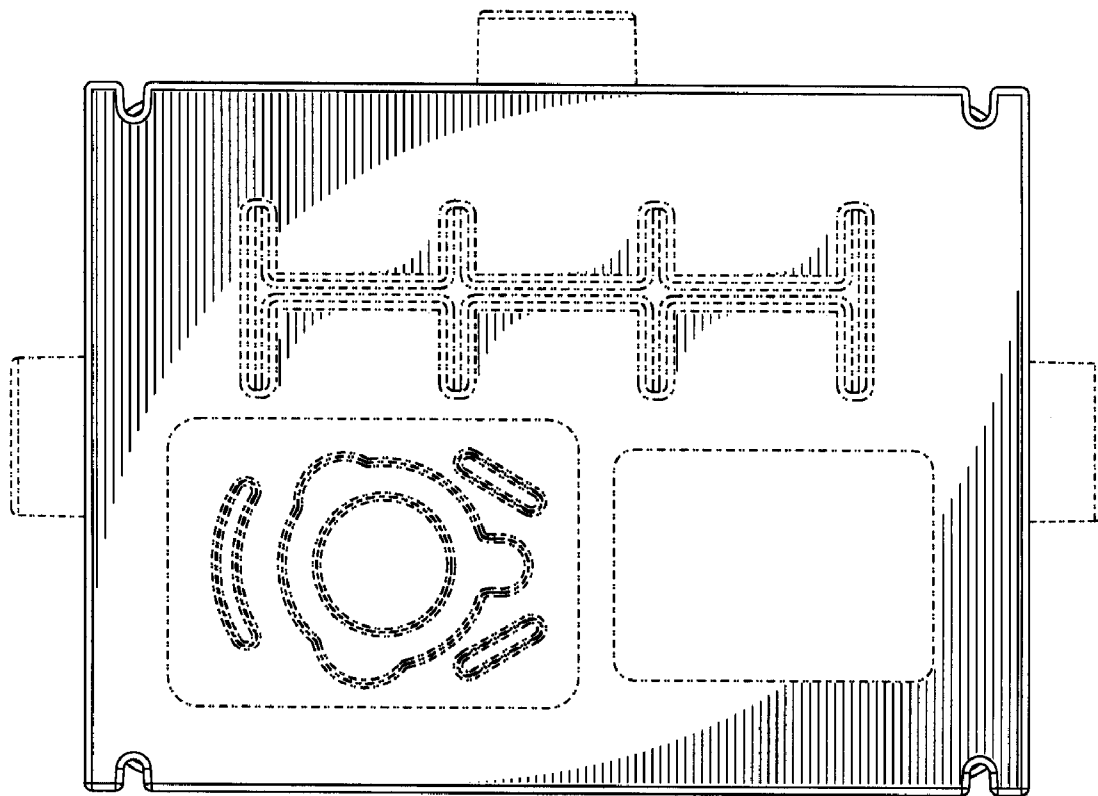


FIG. 7