



US00D842163S

(12) **United States Design Patent**
Rapp et al.

(10) **Patent No.:** **US D842,163 S**

(45) **Date of Patent:** **** Mar. 5, 2019**

- (54) **CHRISTMAS TREE STAND**
- (71) Applicant: **Patent Innovations LLC**, West Henrietta, NY (US)
- (72) Inventors: **Steve Rapp**, Rochester, NY (US); **John M. Hammond**, Livonia, NY (US)
- (73) Assignee: **Patent Innovations LLC**, Pittsford, NY (US)

D424,969 S * 5/2000 Fillipp D11/130.1
 D428,357 S * 7/2000 Fillipp D11/130.1
 D443,227 S * 6/2001 Sofy D11/130.1
 6,286,804 B1 * 9/2001 Avinger A47G 33/12
 248/519
 6,357,173 B1 * 3/2002 Sofy A47G 33/12
 248/524
 D498,172 S * 11/2004 Verni D11/130.1
 6,877,274 B2 * 4/2005 Fiveash A47G 33/12
 248/527

(Continued)

(**) Term: **15 Years**

(21) Appl. No.: **29/631,364**

(22) Filed: **Dec. 29, 2017**

(51) **LOC (11) Cl.** **06-99**

(52) **U.S. Cl.**
USPC **D11/130.1**

(58) **Field of Classification Search**
USPC ... D11/117, 121, 130, 130.1, 131, 143, 144,
D11/152, 153, 154; 428/7, 8, 9, 12, 15,
428/19, 20; 248/519, 523-526; 47/39,
47/40.5, 41.1, 41.11-41.15, 42, 43
CPC . E04H 12/2238; E04H 12/3346; A47G 33/12;
A47G 33/1206; A47G 33/1213; A47G
33/1226; A47G 22/1246; A47G 33/126

See application file for complete search history.

(56) **References Cited**

U.S. PATENT DOCUMENTS

- 2,933,274 A * 4/1960 Mausolf A47G 33/1226
248/524
- D188,862 S * 9/1960 Krastel D11/130.1
- D321,670 S * 11/1991 Buonito D11/130.1
- D351,570 S * 10/1994 Fillipp D11/130.1
- D364,831 S * 12/1995 Fillipp D11/130.1
- 5,845,890 A * 12/1998 Earsley A47G 33/1226
248/516
- 5,918,849 A * 7/1999 Bliss A47G 33/1213
192/223.1

OTHER PUBLICATIONS

Illustrations of Krinner Tree Genie Christmas tree stands at published at website www.krinnerusa.com/christmas-tree-stands. Publication date unknown.

(Continued)

Primary Examiner — Elizabeth J Oswecki
(74) *Attorney, Agent, or Firm* — John M. Hammond;
Patent Innovations LLC

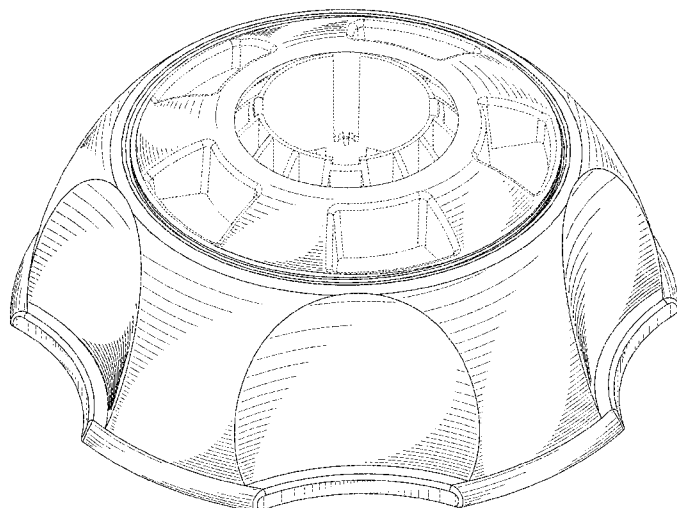
(57) **CLAIM**

The ornamental design for a Christmas tree stand, as shown and described.

DESCRIPTION

FIG. 1 is a top, front perspective view of a Christmas tree stand, showing our new design;
FIG. 2 is a front elevation view thereof;
FIG. 3 is a right side elevation view thereof;
FIG. 4 is a rear elevation view thereof;
FIG. 5 is a left side elevation view thereof;
FIG. 6 is a top plan view thereof;
FIG. 7 is a bottom plan view thereof; and,
FIG. 8 is an exploded, top, front perspective view thereof.
The broken lines shown in the drawings represent portions of the Christmas tree stand that form no part of the claimed design.

1 Claim, 6 Drawing Sheets



(56)

References Cited

U.S. PATENT DOCUMENTS

D543,895 S * 6/2007 Bolster D11/117
D709,794 S * 7/2014 Gage, Jr. D11/130.1
9,375,109 B2 * 6/2016 Hammond A47G 33/1226
D821,913 S * 7/2018 Lannie D11/130.1
2018/0020859 A1 1/2018 Rapp et al.

OTHER PUBLICATIONS

Illustrations of Cinco Plastics Christmas tree stands at published at
website <http://cincoplastics.com/cinco/>. Publication date unknown.

* cited by examiner

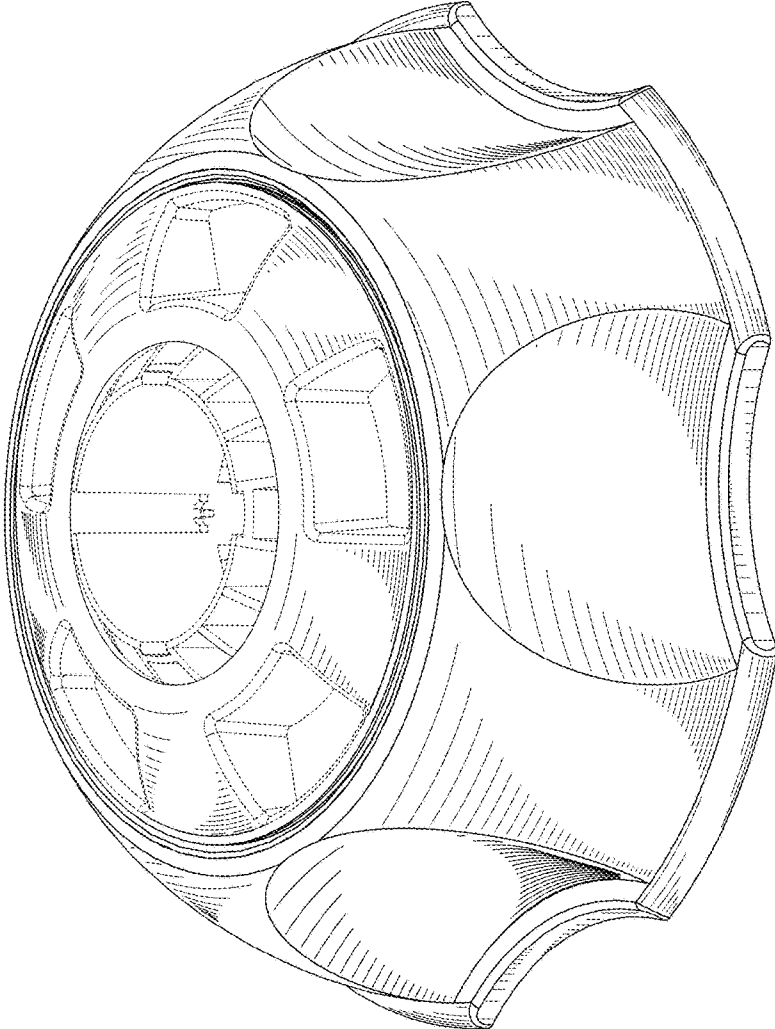


FIG. 1

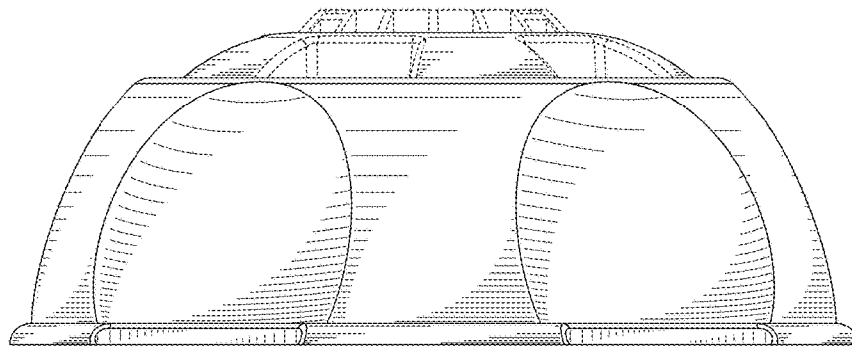


FIG. 2

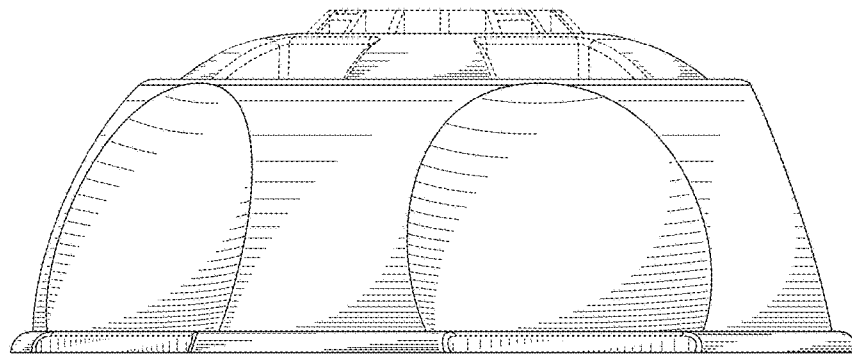


FIG. 3

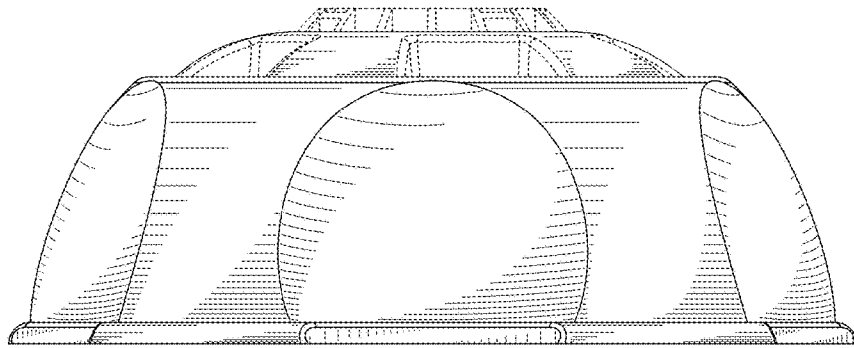


FIG. 4

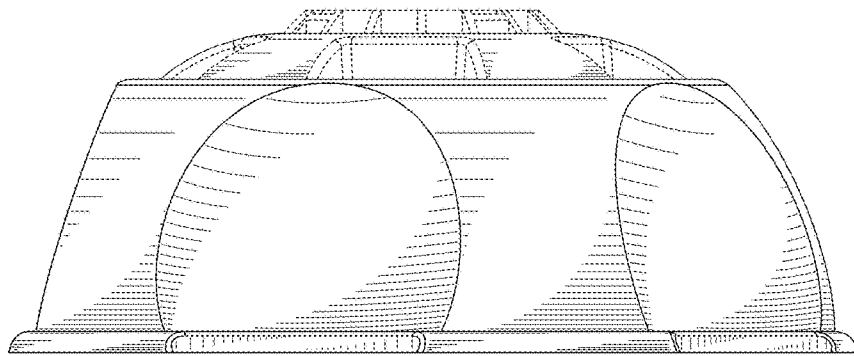


FIG. 5

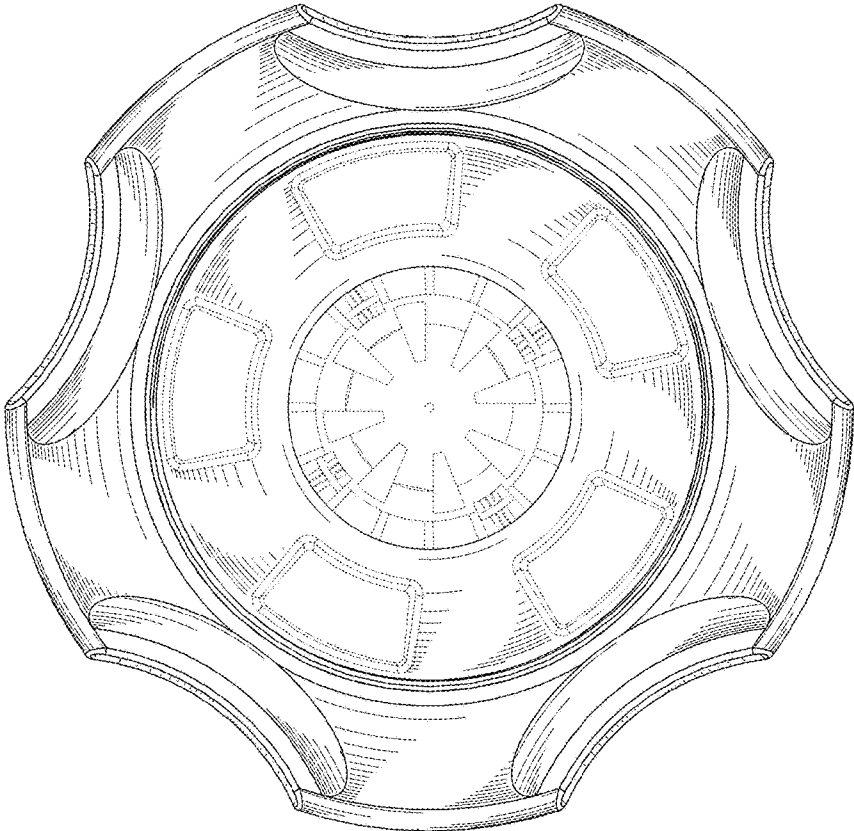


FIG. 6

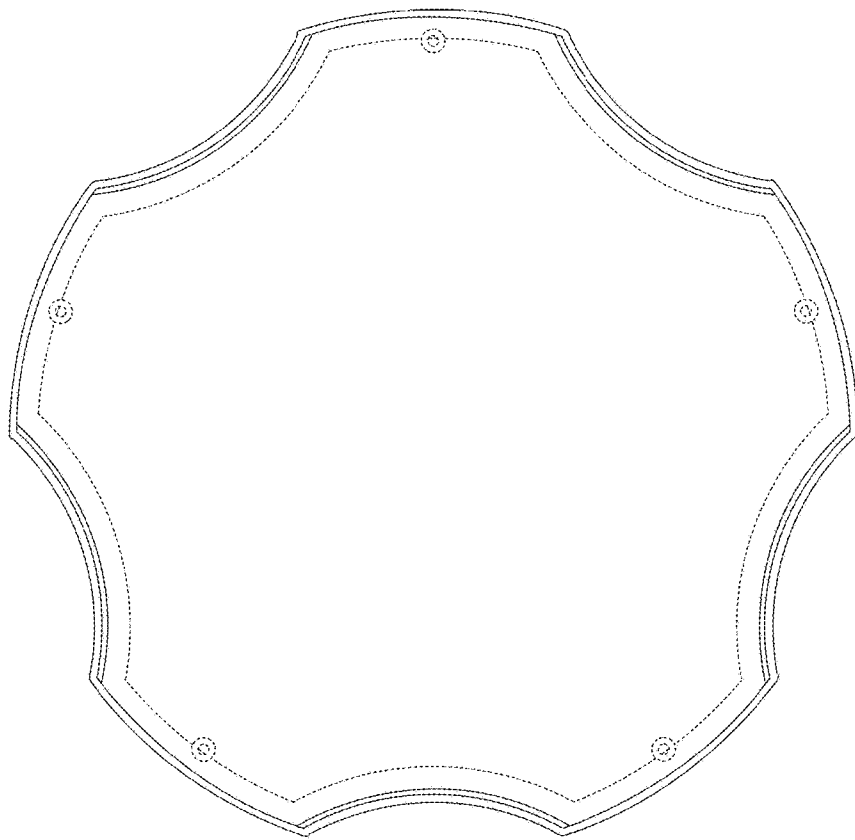


FIG. 7

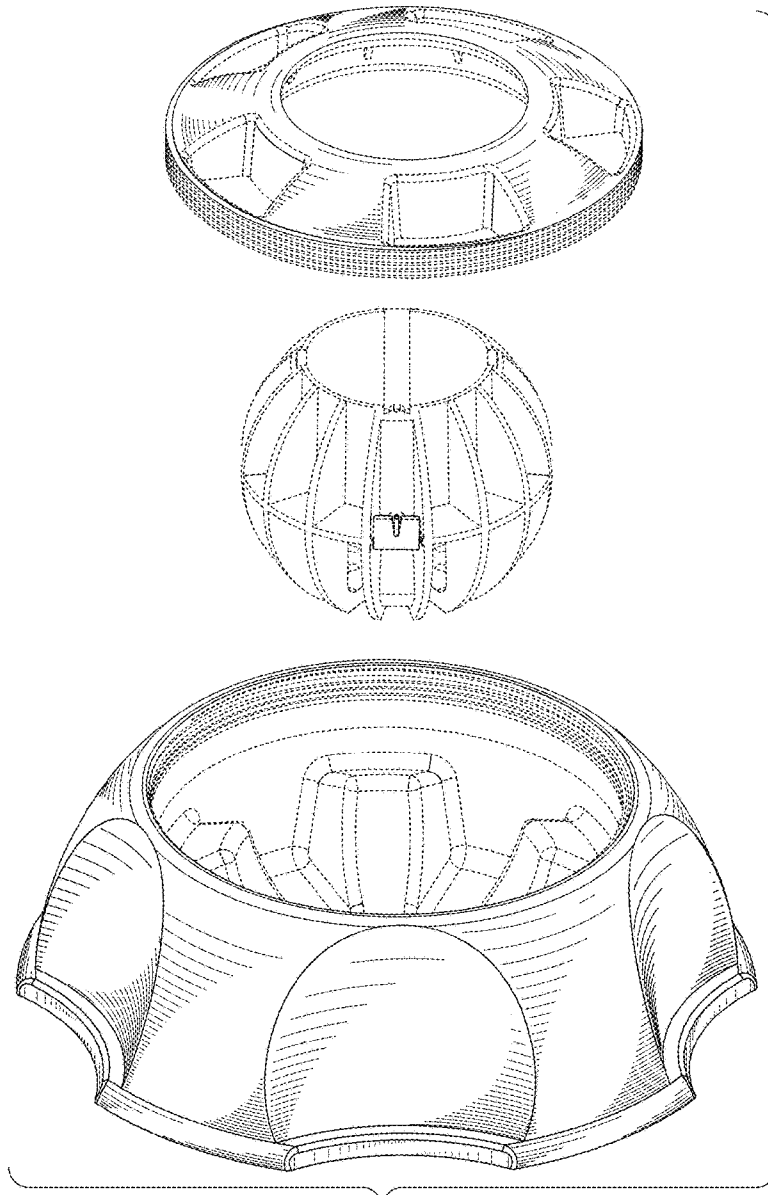


FIG. 8